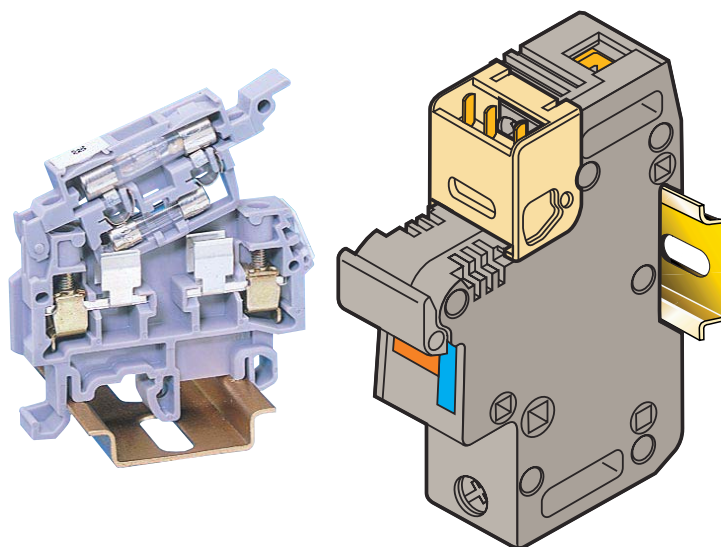


# Fuse holder terminal blocks



# Fuse holder terminal blocks

## Double-deck

### for 5 x 20 and 5 x 25 mm fuses

#### Compression clamp

DIN 1 - DIN 3

End stop	th. 9,1 mm	<b>BAMH</b>	<b>0114 836.00</b>
Other end stops : See Accessories section			
Rail	35 x 7,5 x 1	<b>PR30</b> prepunched	<b>0173 220.05</b>
Rail	35 x 15 x 2,3	<b>PR4</b>	<b>0168 500.12</b>
Rail	35 x 15 x 1,5	<b>PR5</b> prepunched	<b>0101 598.26</b>
Rail	32 x 15	<b>PR1Z2</b>	<b>0163 050.04</b>
Other rails : See Accessories section			

### Notes

The use of some accessories may decrease the block's voltage rating. For more information, consult us.

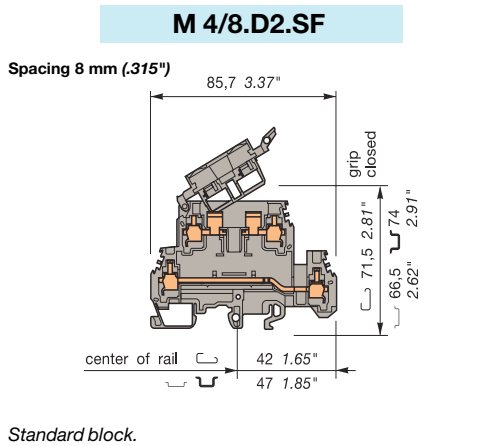
\* Blocks with LED indicator are labeled "+" on the outside of the lever. The indicator can be reversed in the field if required.



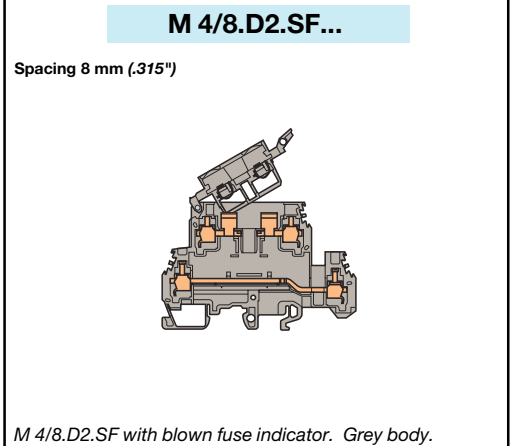
### Accessories

	1 End section	grey	<b>FEM8D2S (V2)</b>	<b>0116 913.07</b>
	2 Test socket		<b>FEM8D2S (V0)</b>	<b>0196 913.00</b>
	3 Test plug		<b>AL2 (1)</b>	DIA. 2 mm <b>0163 043.21</b>
			<b>AL3 (1)</b>	DIA. 3 mm <b>0163 261.00</b>
			<b>AL4 (1)</b>	DIA. 4 mm <b>0163 262.01</b>
	4 Assembled jumper bar		<b>FC2 (3)</b>	DIA. 2 mm <b>0007 865.26</b>
	5 Connector plate		<b>FC4 (4)</b>	DIA. 4 mm <b>0167 860.01</b>
	6 Comb-type jumper bar	(without IP 20 protection)	<b>BJM8 (1) 41 A</b>	<b>0168 520.05</b>
	7 IDC jumper		<b>BJM8 (1) 41 A</b>	<b>0168 521.22</b>
	8 Assembly rod		<b>BJM8 (1) 41 A</b>	<b>0168 522.23</b>
			<b>BJM8 (1) 41 A</b>	<b>0168 523.24</b>
			<b>BJM8 (1) 41 A</b>	<b>0168 974.00</b>
	9 Assembly ring		<b>EL6</b>	35 A <b>0173 627.21</b>
	10 Fuse 5 x 20 mm	250 V	<b>PC81</b>	35 A 10 poles <b>0173 523.11</b>
			<b>AD2,5</b>	24 A <b>0114 205.20</b>
			<b>TGA8</b>	2 poles <b>0168 672.11</b>
				3 poles <b>0168 673.12</b>
				4 poles <b>0168 674.13</b>
			<b>ANT</b>	<b>0168 675.14</b>
			<b>FU520</b>	0,5 A <b>0008 288.15</b>
				1 A <b>0008 290.13</b>
				2 A <b>0008 291.00</b>
				3,15 A <b>0008 289.16</b>
				5 A <b>0008 292.01</b>
			<b>FU525</b>	1,6 A <b>0167 546.22</b>
				2 A <b>0167 547.23</b>
				2,5 A <b>0167 548.04</b>
				4 A <b>0167 549.05</b>
				6,3 A <b>0167 550.02</b>
	11 Disconnect link bar		<b>CN5</b>	<b>0168 804.07</b>
	12 Shield connector		<b>CBD2S</b>	<b>0178 408.14</b>

R See section on markers marking method



Standard block.



M 4/8.D2.SF with blown fuse indicator. Grey body.

Color	Type	Part numbers
Grey	<b>M 4/8.D2.SF</b>	<b>0115 604.21</b>
Beige V0	<b>M 4/8.D2.SF.V0</b>	<b>0195 604.22</b>

Color	Type	Part numbers
Neon lamp 110-230V (5)	<b>M 4/8.D2.SFL</b>	<b>0115 646.22</b>
LED 24 V (6)	<b>M 4/8.D2.SFD</b>	<b>0115 647.23</b>
LED 48 V (6)	<b>M 4/8.D2.SFD1</b>	<b>0115 648.04</b>

### Characteristics

Wire size	Wire size			
	IEC	UL	CSA	
Compression clamp	Solid wire	0,5-4 mm <sup>2</sup>	24-12 AWG	24-12 AWG
	Stranded wire	0,5-4 mm <sup>2</sup>	24-12 AWG	24-12 AWG

### Characteristics

Wire size	Wire size			
	IEC	UL	CSA	
Compression clamp	Solid wire	0,5-4 mm <sup>2</sup>	24-12 AWG	24-12 AWG
	Stranded wire	0,5-4 mm <sup>2</sup>	24-12 AWG	24-12 AWG

Voltage				
Rated	630 V (7)	300 V (1)	250 V	
Pulse	8 kV			
Pollution degree	3			
Current				
Rated	6,3 A	10 A	10 A	
Wire size				
Rated / Gauge	4 mm <sup>2</sup> / A4	12 AWG	12 AWG	
Wire stripping length		Recomm. screwdriver	Recomm. torque	Protection
9,5 mm .37"		4 mm .16"	0,5-0,8 Nm 4,4-7 lb.in	IP 20

Voltage				
Rated	500 V (7)	300 V (1)	250 V	
Pulse	6 kV			
Pollution degree	3			
Current				
Rated	6,3 A	10 A	10 A	
Wire size				
Rated / Gauge	4 mm <sup>2</sup> / A4	12 AWG	12 AWG	
Wire stripping length		Recomm. screwdriver	Recomm. torque	Protection
9,5 mm .37"		4 mm .16"	0,5-0,8 Nm 4,4-7 lb.in	IP 20

Type	Part numbers
<b>FEM8D2S (V2)</b>	<b>0116 913.07</b>
<b>FEM8D2S (V0)</b>	<b>0196 913.00</b>
<b>AL2 (1)</b>	DIA. 2 mm <b>0163 043.21</b>
<b>AL3 (1)</b>	DIA. 3 mm <b>0163 261.00</b>
<b>AL4 (1)</b>	DIA. 4 mm <b>0163 262.01</b>
<b>FC2 (3)</b>	DIA. 2 mm <b>0007 865.26</b>
<b>FC4 (4)</b>	DIA. 4 mm <b>0167 860.01</b>
<b>BJM8 (1) 41 A</b>	<b>0168 520.05</b>
<b>BJM8 (1) 41 A</b>	<b>0168 521.22</b>
<b>BJM8 (1) 41 A</b>	<b>0168 522.23</b>
<b>BJM8 (1) 41 A</b>	<b>0168 523.24</b>
<b>BJM8 (1) 41 A</b>	<b>0168 974.00</b>
<b>EL6</b>	35 A <b>0173 627.21</b>
<b>PC81</b>	35 A 10 poles <b>0173 523.11</b>
<b>AD2,5</b>	24 A <b>0114 205.20</b>
<b>TGA8</b>	2 poles <b>0168 672.11</b>
	3 poles <b>0168 673.12</b>
	4 poles <b>0168 674.13</b>
<b>ANT</b>	<b>0168 675.14</b>
<b>FU520</b>	0,5 A <b>0008 288.15</b>
	1 A <b>0008 290.13</b>
	2 A <b>0008 291.00</b>
	3,15 A <b>0008 289.16</b>
	5 A <b>0008 292.01</b>
<b>FU525</b>	1,6 A <b>0167 546.22</b>
	2 A <b>0167 547.23</b>
	2,5 A <b>0167 548.04</b>
	4 A <b>0167 549.05</b>
	6,3 A <b>0167 550.02</b>
<b>CN5</b>	<b>0168 804.07</b>
<b>CBD2S</b>	<b>0178 408.14</b>

Type	Part numbers
<b>FEM8D2S</b>	<b>0116 913.07</b>
<b>AL2 (1)</b>	DIA. 2 mm <b>0163 043.21</b>
<b>AL3 (1)</b>	DIA. 3 mm <b>0163 261.00</b>
<b>AL4 (1)</b>	DIA. 4 mm <b>0163 262.01</b>
<b>FC2 (3)</b>	DIA. 2 mm <b>0007 865.26</b>
<b>FC4 (4)</b>	DIA. 4 mm <b>0167 860.01</b>
<b>BJM8 (1) 41 A</b>	<b>0168 520.05</b>
<b>BJM8 (1) 41 A</b>	<b>0168 521.22</b>
<b>BJM8 (1) 41 A</b>	<b>0168 522.23</b>
<b>BJM8 (1) 41 A</b>	<b>0168 523.24</b>
<b>BJM8 (1) 41 A</b>	<b>0168 974.00</b>
<b>EL6</b>	35 A <b>0173 627.21</b>
<b>PC81</b>	35 A 10 poles <b>0173 523.11</b>
<b>AD2,5</b>	24 A <b>0114 205.20</b>
<b>TGA8</b>	2 poles <b>0168 672.11</b>
	3 poles <b>0168 673.12</b>
	4 poles <b>0168 674.13</b>
<b>ANT</b>	<b>0168 675.14</b>
<b>FU520</b>	0,5 A <b>0008 288.15</b>
	1 A <b>0008 290.13</b>
	2 A <b>0008 291.00</b>
	3,15 A <b>0008 289.16</b>
	5 A <b>0008 292.01</b>
<b>FU525</b>	1,6 A <b>0167 546.22</b>
	2 A <b>0167 547.23</b>
	2,5 A <b>0167 548.04</b>
	4 A <b>0167 549.05</b>
	6,3 A <b>0167 550.02</b>
<b>CBD2S</b>	<b>0178 408.14</b>

(6) RC 610 on grip

(17) RC 810 on side

Note: (1) Only for lower deck. (2) Only for upper connection. Use of these accessories requires the user to cut out the partition. (3) For block equipped with test socket AL2. (4) For block equipped with test socket AL4. (5) Leakage current with neon lamp : < 0,5 mA (110 VAC), < 0,7 mA (230 VAC). (6) Leakage current with LED 24 or 48 VDC < 4,5 mA. (7) Insulation voltage of terminal block - operating voltage : in accordance with fuse rating.