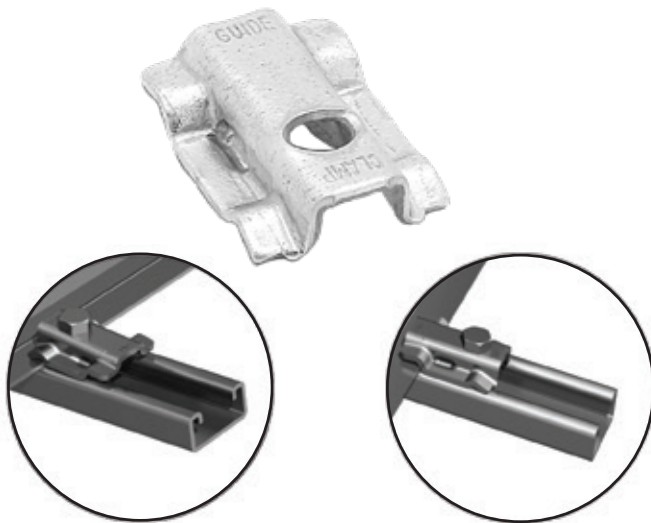


Clamps and Hardware

Cable Tray Combo Clamp



Clamp position on cable tray

Guide position on cable tray

Cat. No.	Material	Hardware size (in.)
SPWCHGC	Pregalvanized steel	3/8
SHWCHGC	Hot dip galvanized steel	
SSWCHGC	316 Stainless	

Cat. No.	Material	Hardware size (in.)
SPWCHGC-HDW	Pregalvanized steel	3/8
SHWCHGC-HDW	Hot dip galvanized steel	
SSWCHGC-HDW	316 Stainless	

* Hardware supplied: 1 bolt and 1 springless strut nut 3/8 diameter.

Steel Tray Hardware



Square shoulder self-positioning carriage bolt.

Cat. No.	Material	Description
SPW-1/4-CB	Zinc plated steel	1/4 in. carriage bolt
SPW-3/8-CB		3/8 in. carriage bolt
SPW-1/4-HN		1/4 in. serrated flange hex. nut
SPW-3/8-HN		3/8 in. hex. nut
SPW3/8HWK*		Hardware kit
SPW-3/8HXHWK**		Hardware kit 3/8 in. for large radius crosses
SSW-3/8-CB	316 Stainless	3/8 in. carriage bolt
SSW-3/8-HN		3/8 in. hex. nut
SSW38HWK*		316 Stainless steel hardware kit
SSW-3/8HXHWK**		Hardware kit 3/8 in. for large radius crosses

* Contains 8 nuts and 8 bolts.

**Contains 6 bolts, 6 nuts and 6 washers.

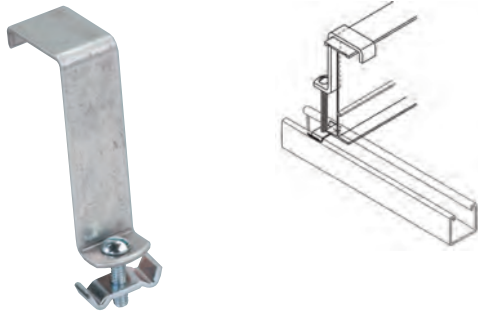
Clamps and Hardware

Self-drilling – tapping screw



Cat. No.	Material	Description
SPW-10-SCR	Zinc plated steel	Self-drilling – tapping screw
SSW-10-SCR	Stainless steel	Self-drilling – tapping screw

Hold Down Clamp



Cat. No.	Material Prefix	Side Rail Height (in.)
(Prefix)-3-HDC	SPW SHW SSW	3
(Prefix)-4-HDC		4
(Prefix)-5-HDC		5
(Prefix)-6-HDC		6
(Prefix)-7-HDC		7

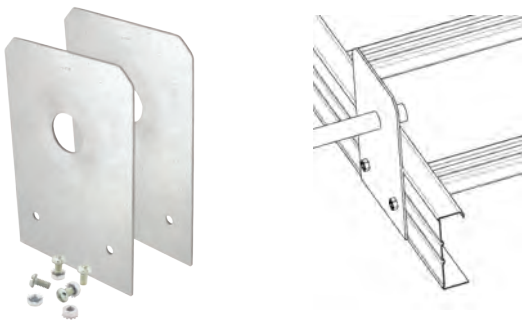
Note: Hardware included. Kit contains 1 bolt and 1 channel nut.

Hold Down Clamp



Cat. No.	Type	Material	Design Load
SPWHDCS	Single	Pregalvanized	800 lb./pair
SHWHDCS	Single	Hot-dipped galvanized	
SSWHDCS	Single	Stainless steel 316	
SPWHDCD	Double	Pregalvanized	1500 lb./pair
SHWHDCD	Double	Hot-dipped galvanized	
SSWHDCD	Double	Stainless steel 316	

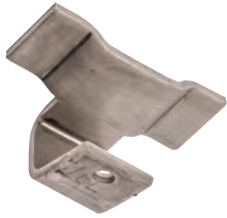
Conduit Clamp



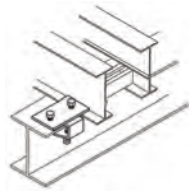
Cat. No.	Type	Material
PU100CC	1	Pregalvanized
PU125CC	1-1/4	
PU150CC	1-1/2	
PU200CC	2	
PU250CC	2-1/2	
PU300CC	3	
PU400CC	4	

Clamps and Hardware

Cable Tray Guide

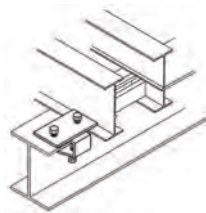


Expansion guide for single or double runs of cable tray. No need to field drill channel or I-beam.



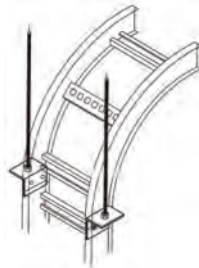
Cat. No.	Material
SPW-CTG	Zinc plated steel
SHW-CTG	Hot-dipped galvanized steel
SSW-CTG	Stainless steel

Cable Tray Clamp



Cat. No.	Material
SPW-CTC	Zinc plated steel
SHW-CTC	Hot-dipped galvanized steel
SSW-CTC	Stainless steel

Vertical Tray Hanger



Cat. No.	Material Prefix	Side Rail Height (in.)
(Prefix)-(*)-VTH	SPW SHW SSW	3
		4
		5
		6
		7

(*) Insert side rail height