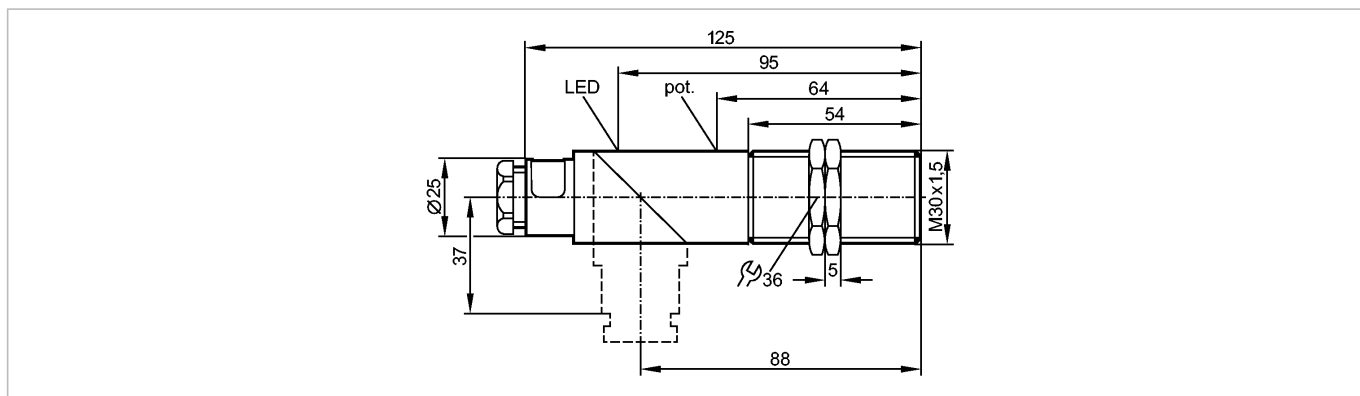


**KI0205**

KIE2015-FBOA/NI RT

Capacitive sensors



**Product characteristics**

Capacitive sensor
Plastic thread M30 x 1.5
Terminals
Increased immunity to conducted radio frequency interference
Sensing range 15 mm; adjustable 3...15 mm; [nf] non-flush mountable

**Electrical data**

Electrical design	AC/DC
Operating voltage [V]	20...250 AC/DC
Protection class	II
Reverse polarity protection	no

**Outputs**

Output function	normally open / closed programmable
Voltage drop [V]	< 10 AC / < 8 DC
Minimum load current [mA]	5
Leakage current [mA]	< 2.5 (250 V AC) / < 1.7 (110 V AC) / < 1.5 (24 V DC)

**Current rating**

- Current rating (continuous) [mA]	200; 250 (...50 °C)
- Current rating (peak) [mA]	î: 1.5 A (20 ms / 0.5 Hz)
Short-circuit proof	no
Overload protection	no
Switching frequency [Hz]	25 AC / 40 DC

**Monitoring range**

Sensing range [mm]	15, adjustable 3...15 mm
Real sensing range (Sr) [mm]	15 ± 10 %
Operating distance [mm]	0...12.1

**Accuracy / deviations**

Correction factors	water = 1 / glass approx. 0.4 / ceramics approx. 0.2 / PVC approx. 0.2
Hysteresis [% of Sr]	1...15
Switch-point drift [% of Sr]	-15...15

**Environment**

Ambient temperature [°C]	-25...70
Protection	IP 65

**Tests / approvals**

**KI0205**

KIE2015-FBOA/NI RT

**Capacitive sensors**

EMC	IEC 60947-5-2:	2007
-----	----------------	------

MTTF	[Years]	294
------	---------	-----

**Mechanical data**

Mounting	non-flush mountable
----------	---------------------

Housing materials	PBT; end cap: polycarbonate
-------------------	-----------------------------

Weight	[kg]	0.137
--------	------	-------

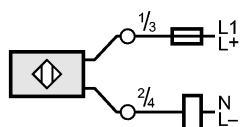
**Displays / operating elements**

Output status indication	LED	red
--------------------------	-----	-----

**Electrical connection**

Connection	terminals up to 2.5 mm <sup>2</sup> ; cable diameter 7...13 mm, cable gland M20 x 1.5
------------	---

**Wiring**



Note: miniature fuse to IEC60127-2 sheet 1, ≤ 2 A (fast acting)

**Accessories**

Accessories (included)	2 lock nuts; screwdriver
------------------------	--------------------------

**Remarks**

Remarks	Recommendation: check the unit for reliable function after a short circuit.
---------	---

Pack quantity	[piece]	1
---------------	---------	---