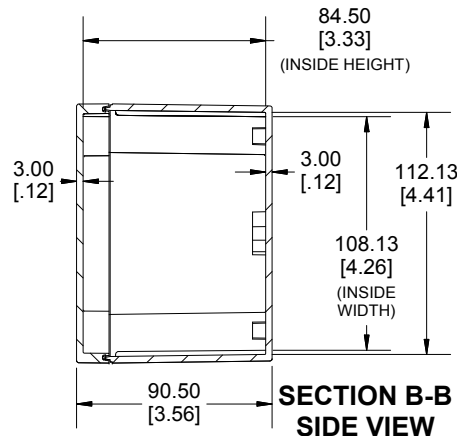
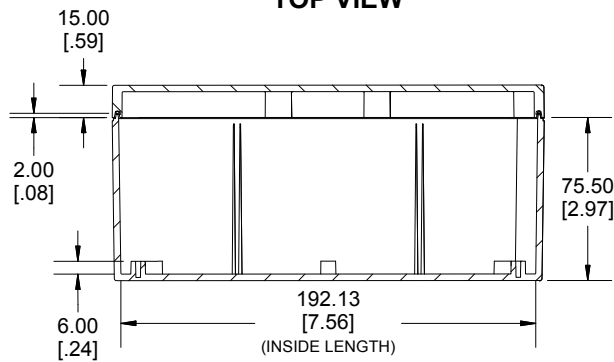
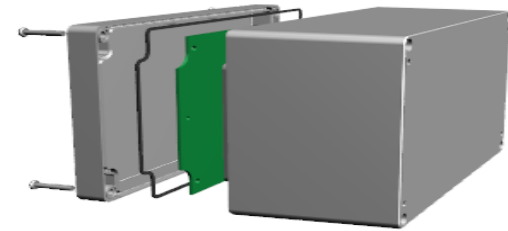


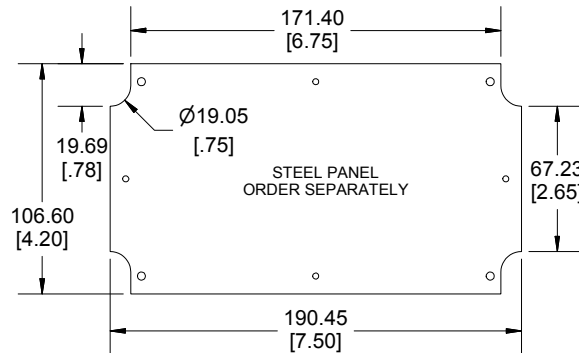
**TOP VIEW**



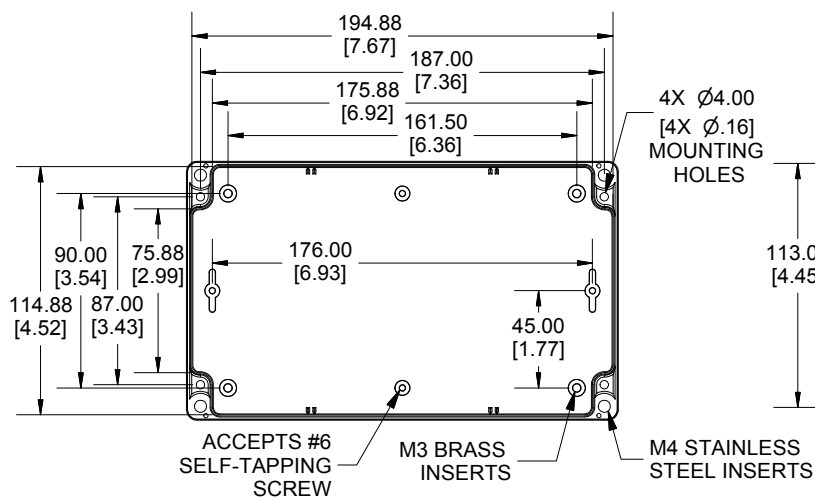
**SECTION B-B  
SIDE VIEW**



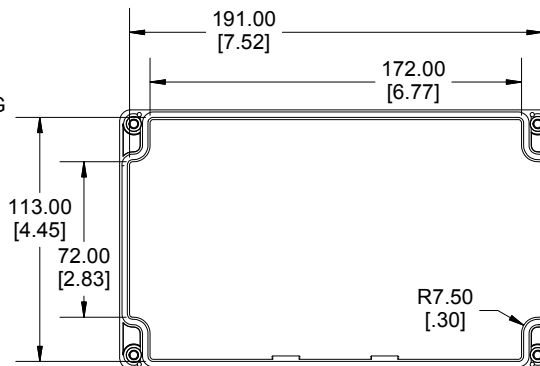
**SECTION A-A  
SIDE VIEW**



STEEL PANEL  
ORDER SEPARATELY



**INSIDE BOX**



**INSIDE LID**

POLYCARBONATE  
VERSION ONLY



FILE #E65324  
NEMA 4, 4X

Enclosures can be Factory Modified ( Milling, Drilling, Printing etc.)  
Contact Factory [mjm@hammondmfg.com](mailto:mjm@hammondmfg.com) for quotes  
Solid models of this enclosure available in STEP or IGES.  
(Part number and text placement/orientation on our products are subject to change,  
we do not recommend using them as a locating reference for modification purposes)

**NOTE**

Purchased assembly includes box, lid, 4 cover screws, and preformed silicone gasket.  
General Purpose ABS version is not UL approved. (Matl UL94 - HB)  
Polycarbonate version is UL 508 approved. (Matl UL94 - 5VA @ 3mm)

**Recommended Cover screw torque -- 2.5 lbf-in (30 cN-m)**

1554U	
1554U Regular Enclosure	
General Purpose ABS RAL-7035	1554UGY
Polycarbonate RAL-7035	1554U2GY
1554U Clear / Smoke Lid Enclosure	
Polycarbonate Box / Clear Polycarbonate Lid	1554U2GYCL
Polycarbonate Box / Smoke Polycarbonate Lid	1554U2GYSL
ACCESSORIES	
Steel Inner Panels	1554UPL
Steel Panel / P.C. Board Machine Screw [M3 x 8mm Plated]	1591MM100
Steel Panel / P.C. Board Self Tapping Screw [#6 X 1/4" (6.4mm) Plated]	1598ATS100
Cover Screws (Pkg 4) [M4 X 20mm Stainless Steel]	SC1554
Silicone Pre-formed Gasket Black	1554UGASKET

Dimensions:  
mm  
[inches]



[www.hammondmfg.com](http://www.hammondmfg.com)