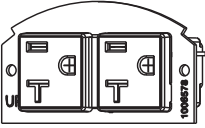
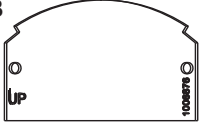
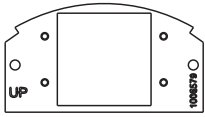
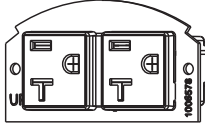
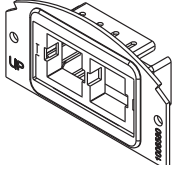


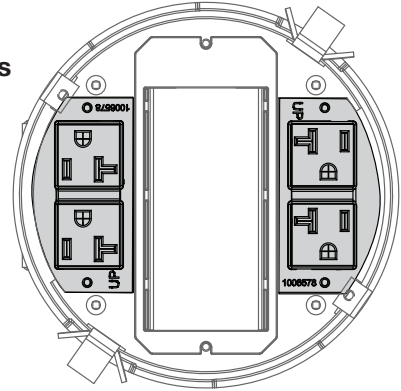
Evolution 6AT Series Side Mount Device Plates Ordering Information

Catalog No./Item	Description/Specifications
68REC	<p>20AMP Duplex Receptacles – Two (2) proprietary 20AMP duplex power receptacles with mounting plates. Designed to fit in either of the two side compartments in both the 6ATC and the 8ATC Series Poke-Thru Devices. Receptacle can be wired as a standard or isolated ground device.</p> 
68B	<p>Device Mounting Plate – Blank plate. Used to blank off either of the side compartments when no devices or cabling are to be used.</p> 
68MAAP	<p>Device Mounting Plate – Device plate that will accept up to two (2) Extron® Electronics MAAP device plates. For use in either of the two side compartments only. Not for use in the center compartment. Extron Devices supplied by others.</p> 
68REC-25	<p>20Amp Duplex Receptacles – Two (2) proprietary 20AMP duplex power receptacles with mounting plates and 25' leads. Designed to fit in either of the two side compartments in both the 6ATC and the 8ATC Series Poke-Thru Devices. Receptacle can be wired as a standard or isolated ground device.</p> 

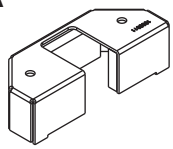
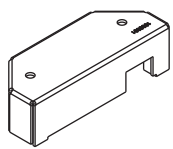
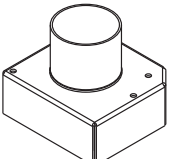
Catalog No./Item	Description/Specifications
682A	<p>Device Mounting Plate – Device plate that will accept up to two (2) ports of communication devices. For use in either of the two side compartments only. Not for use in the center compartment. Communication devices supplied by others.</p> 

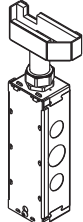
6AT Side Mount Device Plates Mounting Locations

Device Plates in this section can be installed in the shaded locations indicated in this illustration.



Evolution 6AT Series Bottom Feed Side Mount Device Plates Ordering Information

Catalog No./Item	Description/Specifications
5PTHA	<p>Bottom Housing Assembly – Half-gang pass through housing assembly. Designed to allow pass through of communication cables when no conduit is required. For use on side compartments only.</p> 
5BLH	<p>Bottom Housing Assembly – Half-gang blank housing assembly. Designed to blank off compartment when no cable pass through is required. For use on side compartments only. Includes tunnels for 6" [152mm] and 8" [203mm] poke-thru devices.</p> 
152CHA	<p>Bottom Housing Assembly – One and a half-gang 2" trade size conduit housing assembly. Recommended for use with furniture feed devices (6ATCFF). Covers the center compartment and one of the side compartments.</p> 

Catalog No./Item	Description/Specifications
575CHA	<p>Bottom Housing Assembly – Half-gang 3/4" trade size conduit housing assembly. Includes junction box attached to 3/4" trade size conduit for electrical power connections. For use on side compartments only.</p> 

6AT Bottom Feed Side Mount Device Plate Mounting Locations

Device Plates in this section can be installed in the shaded locations indicated in this illustration.

