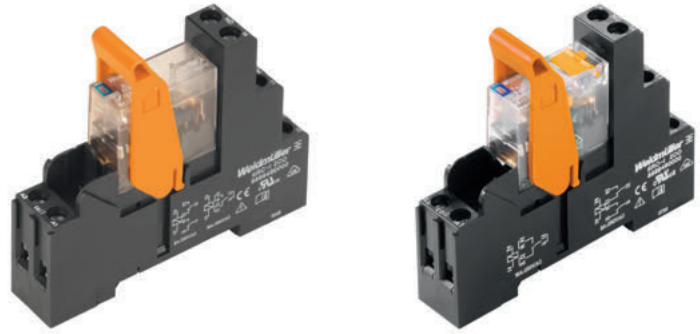


**RIDERSERIES – relay modules**

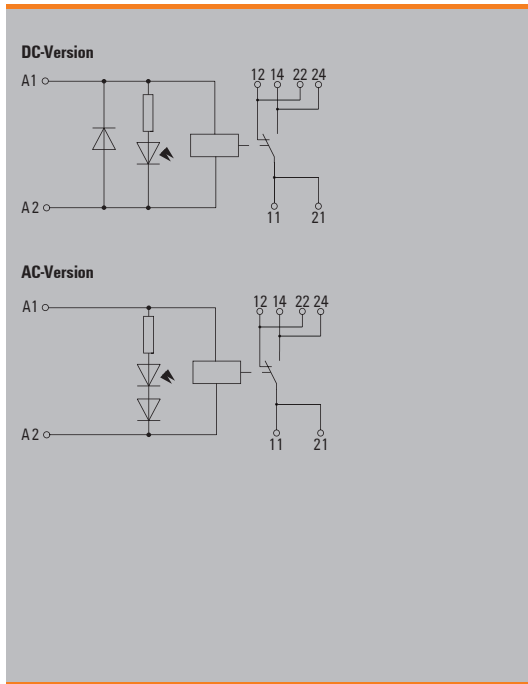
**RCI KIT with screw connection**

**1 CO contact**

- 4000 VA switching capacity
- Stable plug-in connections
- LED (AC red / DC green) integrated in relay
- Protective suppressor circuit for DC coil
- Optional test button with latching function and inspection window
- Identification of coils (AC red / DC blue)



**B**



**Technical data**

Output	
Rated switching voltage / Continuous current	250 V AC / 16 A <sup>1)</sup>
Max. switching voltage, AC	400 V
Inrush current	30 A / 4 s
Min. switching power	1 mA @ 24 V, 10 mA @ 12 V, 100 mA @ 5 V
DC / AC Switching capacity (resistive), max.	384 W @ 24 V / 4000 VA
Contact material	AgNi 90/10
Mechanical service life	AC coil 5 x 10 <sup>6</sup> Switch. cycles, DC coil 10 x 10 <sup>6</sup> Switch. cycles
Max. switching frequency at rated load	0.1 Hz
Rated data	
Ambient temperature (operational)	-40 °C...70 °C
Storage temperature	-40 °C...70 °C
Humidity	40 °C / 93 % rel. humidity, no condensation
Approvals	CE, DNVGL; EAC
Insulation coordinates	
Rated voltage	250 V
Impulse withstand voltage	5 kV (1.2/50 µs)
Dielectric strength input - output	5 kV <sub>eff</sub> / 1min
Dielectric strength of neighbouring contacts	
Dielectric strength to mounting rail	
Creepage and clearance distance input - output	≥ 8 mm
Overvoltage category	III
Pollution degree	2
Dimensions	
Clamping range (nominal / min. / max.)	mm <sup>2</sup> 2.5 / 1 / 2.5
Depth x width x height	mm 70.2 / 15.8 / 77
Screw connection	
1) For full continuous current (16 A), relay connections 11 - 21, 12 - 22 and 14 - 24 must be bridged.	

**Ordering data**

		24 V DC 1CO	24 V AC 1CO	115 V AC 1CO	230 V AC 1CO
<b>Input</b>					
Rated control voltage		24 V DC	24 V AC	115 V AC	230 V AC
Rated current AC / DC		/ 16.7 mA	31.6 mA /	7 mA /	3.5 mA /
Power rating		420 mW	0.75 VA	0.8 VA	0.8 VA
Pull-in/drop-out voltage, typ.		16.8 V / 2.4 V DC	18 V / 3.6 V AC	86.3 V / 17.3 V AC	172.5 V / 34.5 V AC
Status indicator		Green LED	red LED	red LED	red LED
Protective circuit		Free-wheel diode			
<b>Output</b>					
Switch-on delay		≤ 8 ms	≤ 8 ms	≤ 8 ms	≤ 8 ms
Switch-off delay		≤ 6 ms	≤ 6 ms	≤ 6 ms	≤ 6 ms
<b>Ordering data</b>					
with test button	Type	RCIKIT 24VDC 1CO LD/PB	RCIKIT 24VAC 1CO LD	RCIKIT 115VAC 1CO LD/PB	RCIKIT 230VAC 1CO LD/PB
	Order No.	<b>8881580000</b>	<b>8871010000</b>	<b>8897060000</b>	<b>8881600000</b>
without test button	Type	RCIKIT 24VDC 1CO LD	RCIKIT 24VAC 1CO LD/PB	RCIKIT 115VAC 1CO LD	RCIKIT 230VAC 1CO LD
	Order No.	<b>8871000000</b>	<b>8881590000</b>	<b>8897090000</b>	<b>8871020000</b>
<b>Ordering data</b>					
Spare relay		<b>w. test button</b> <b>w.o. test button</b>	<b>w. test button</b> <b>w.o. test button</b>	<b>w. test button</b> <b>w.o. test button</b>	<b>w. test button</b> <b>w.o. test button</b>
	Type	RCI374AC4   RCI314AC4	RCI374R24   RCI314R24	RCI374S15   RCI314S15	RCI374T30   RCI314T30
	Order No.	<b>8870250000</b> <b>8870100000</b>	<b>8870280000</b> <b>8870130000</b>	<b>8870290000</b> <b>8870140000</b>	<b>8870300000</b> <b>8870150000</b>
<b>Note</b>					