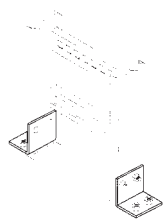
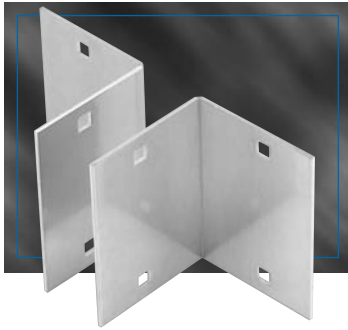


# T&B® Cable Tray Aluminum

## Accessories – Splice Plates

### Box to Tray Plates



Designed to secure tray to electrical panels or boxes, walls or end supports.

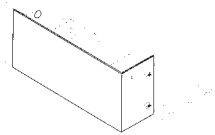
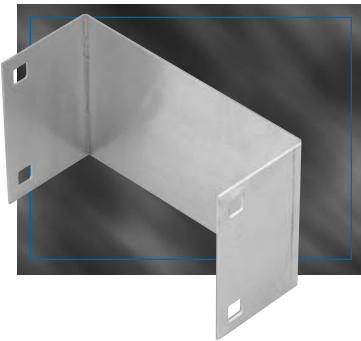
Furnished in pairs with hardware.

Catalogue Number	Material	Siderail Height
ABW-4-BSP	Aluminum	4"
ABW-5-BSP		5"
ABW-6-BSP		6"
ABW-7-BSP		7"

**IMPORTANT NOTE:**

"B" in catalogue number indicates this accessory can be used for both styles.

### Closure End Plate



Provides closure for any tray end.

Packaged with hardware.

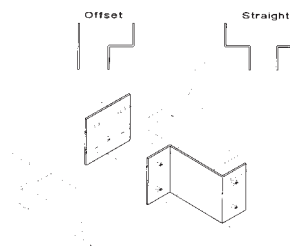
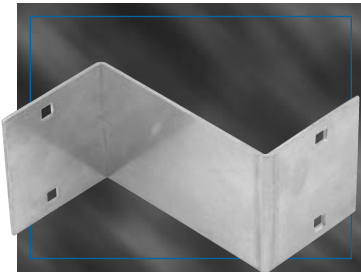
Catalogue Number	Material	Siderail Height	*Widths of Tray
ABW-4(*)-CEP	Aluminum	4"	06"
ABW-5(*)-CEP		5"	09"
ABW-6(*)-CEP		6"	12"
ABW-7(*)-CEP		7"	18"
			24"
			30"
			36"
			42"

(\*) Insert width.

**IMPORTANT NOTE:**

"B" in catalogue number indicates this accessory can be used for both styles.

### Reducing Splice Plate



Used in pairs to provide a straight reduction or used with a standard splice plate for an offset reduction.

Packaged with hardware.

Catalogue Number	Material	Siderail Height	Reduction (inches)
ABW-4(*)-RSP	Aluminum	4"	1-1/2, 3, 4-1/2, 6, 7-1/2, 9,
ABW-5(*)-RSP		5"	10-1/2, 12, 13-1/2, 15
ABW-6(*)-RSP		6"	16-1/2, 18, 21, 24, 27
ABW-7(*)-RSP		7"	30, 33, 36

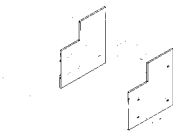
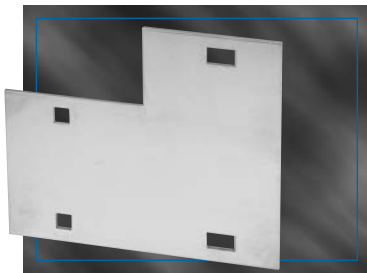
NOTE: (\*) For offset reduction: insert width to be reduced

For straight reduction: insert 1/2 width to be reduced (2 required)

**IMPORTANT NOTE:**

"B" in catalogue number indicates this accessory can be used for both styles.

### Step Down Splice Plate



Connects siderails of different heights.

Hardware included.

Catalogue Number	Material	Siderail Height
AUW(*)(**)SDS	Aluminum	4"
AHW(*)(**)SDS		5"
		6"
		7"

(\*) Siderail Height 1

(\*\*) Siderail Height 2

NOTE: Siderail Height 1 > Siderail Height 2.

T&B aluminum cable tray is composed of two distinct systems H-Style and U-Style. These systems are not interchangeable. Pick one system and stay with it through your project / installation. (Don't mix H and U style components on the same job.)

**H**  
T&B® Cable Tray