

# CableCat

## Wide Base Cable Support Clips *(continued from page 164)*

### Sizing Chart

UL & cUL Listed  
Cable Support

CATALOG NUMBER	FIG. NO.	DESCRIPTION	QTY. PER BOX
<b>Pre-Riveted Factory Assemblies For 1<sup>5</sup>/<sub>16</sub>" Diameter Loop</b>			
CAT2158	11	hammer-on 5/16" thru 1/2" flange – rotates 360°.	40
CAT21912	11	hammer-on 1/2" thru 3/4" flange – rotates 360°.	20
CAT21VF14	12	1/16" thru 1/4" vertical flange.	40
CAT21AF14	13	1/16" thru 1/4" Z purlin.	40
CAT214Z34	14	#12 thru 1/4" wire, plain or threaded rod and 1/8" thru 3/8" flange.	60
CAT216Z34	14	3/8" plain or threaded rod and 3/8" thru 9/16" flange.	60
CAT21AB	15	Angle bracket.	80
CAT21CPNA	15	longer leg Angle bracket.	50
CAT21BCB	16	screw-on 1/8" thru 1/2" flange – rotates 360°.	40
CAT21BC200B	17	screw-on 1/8" thru 5/8" flange – rotates 360°.	40
CAT21CD1B	19	Under floor support to pedestal.	20

<b>Pre-Riveted Factory Assemblies For 2" Diameter Loop</b>			
CAT32528	7	Cable to acoustical tee bar.	20
CAT32BC	8	screw-on 1/8" thru 1/2" flange.	40
CAT32BC200	9	screw-on 1/8" thru 5/8" flange.	20
CAT3224SM	10	hammer-on 1/8" thru 1/4" flange.	40
CAT3258SM	10	hammer-on 5/16" thru 1/2" flange.	40
CAT32912SM	10	hammer-on 1/2" thru 3/4" flange.	40
CAT3224	11	hammer-on 1/8" thru 1/4" flange – rotates 360°.	40
CAT3258	11	hammer-on 5/16" thru 1/2" flange – rotates 360°.	20
CAT32912	11	hammer-on 1/2" thru 3/4" flange – rotates 360°.	20
CAT32VF14	12	1/16" thru 1/4" vertical flange.	40
CAT32AF14	13	1/16" thru 1/4" Z purlin.	40
CAT324Z34	14	#12 thru 1/4" wire, plain or threaded rod and 1/8" thru 3/8" flange.	40
CAT326Z34	14	3/8" plain or threaded rod and 3/8" thru 9/16" flange.	40
CAT32AB	15	Angle bracket.	40
CAT32CPNA	15	longer leg Angle bracket.	50
CAT32BCB	16	screw-on 1/8" thru 1/2" flange rotates 360°.	20
CAT32BC200B	17	screw-on 1/8" thru 5/8" flange rotates 360°.	20
CAT32CD1B	19	Under floor support to pedestal.	20



New 4" hook available for Fall '99.

Contact factory for combos.

Read safety instructions and instruction sheets contained in packages before using or applying fastener.

**LOW VOLTAGE**  
**Datacomm**

**CADDY**

# CableCat™

PATENT PENDING

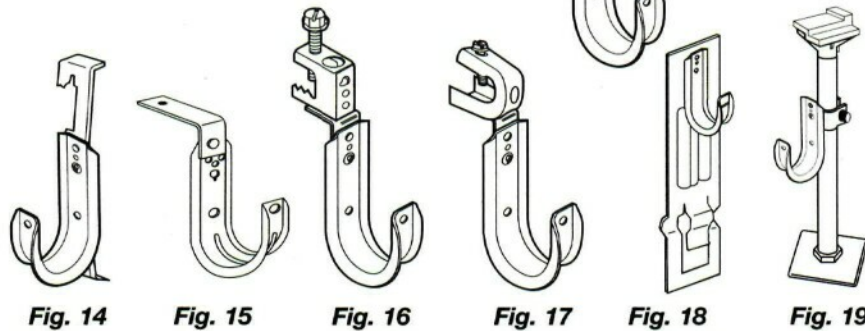
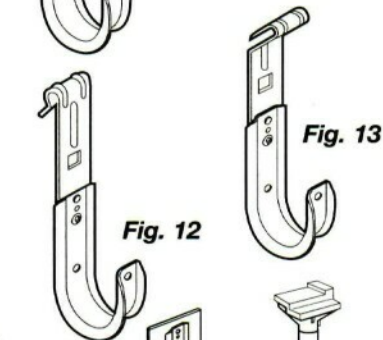
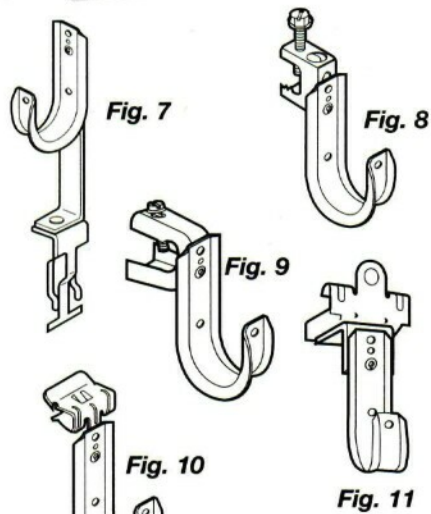
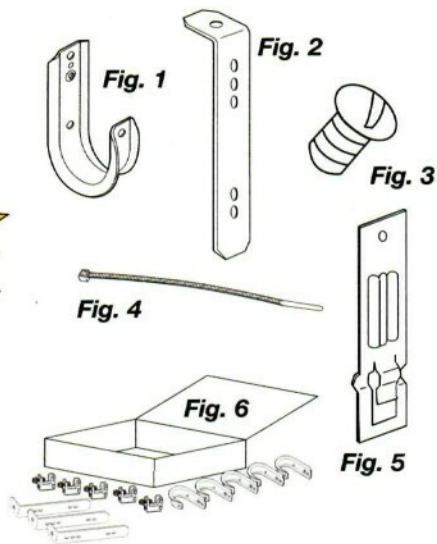
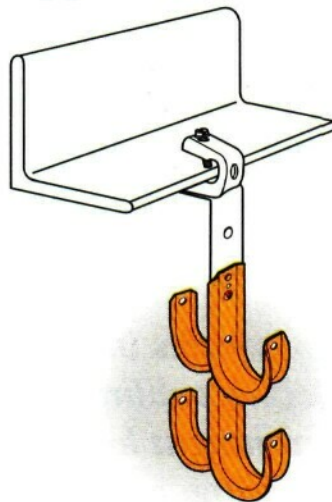
## Wide Base Cable Support

### Features

- Provides proper support of Category 5, fiber optic and innerduct.
- Variety of sizes and designs available to attach to virtually any structure.
- Cost effective alternative to expensive cable tray.
- Galvanized finish on J-hooks provide smoother cable pull and greater corrosion resistance.
- Complies with UL, cUL, NEC and EIA/TIA requirements for structured cabling systems.

**J-Hooks now with Galvanized Finish**

### Applications



**LOW VOLTAGE  
Datacomm**

Read safety instructions and instruction sheets contained in packages before using or applying fastener.