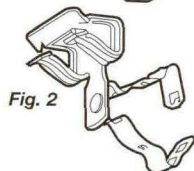
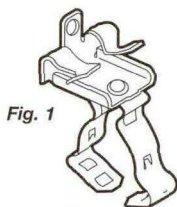
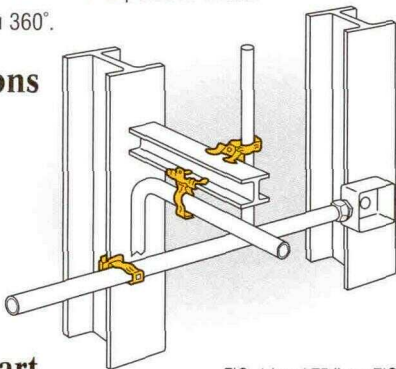


Flange Mount Conduit Clip Snap Close

Features

- Available with CADDY CONDUIT CLIP bottom mounted or side mounted.
- Available for $\frac{3}{8}$ " thru 2" EMT, rigid and aluminum conduit.
- Requires only hammer and pliers to install.
- Will pivot thru 360°.

Applications



Sizing Chart

FIG. 1 Load 75 lbs. • FIG. 2 Load 25 lbs.

| FIG. 1 CATALOG NUMBER | FIG. 2 CATALOG NUMBER | DESCRIPTION | QTY. PER BOX |
|-----------------------------|-----------------------------|---|-----------------|
| 6M24 | 6M24SM | $\frac{3}{8}$ " MC/AC cable to $\frac{1}{8}$ " to $\frac{1}{4}$ " flanges | 100 |
| 6M58 | 6M58SM | $\frac{3}{8}$ " MC/AC cable to $\frac{5}{16}$ " to $\frac{1}{2}$ " flanges | 100 |
| 6M912 | 6M912SM | $\frac{3}{8}$ " MC/AC cable to $\frac{9}{16}$ " to $\frac{3}{4}$ " flanges | 100 |
| 812M24 | 812M24SM | $\frac{1}{2}$ " to $\frac{3}{4}$ " conduit to $\frac{1}{8}$ " to $\frac{1}{4}$ " flanges | 100 |
| 812M58 | 812M58SM | $\frac{1}{2}$ " to $\frac{3}{4}$ " conduit to $\frac{5}{16}$ " to $\frac{1}{2}$ " flanges | 100 |
| 812M912 | 812M912SM | $\frac{1}{2}$ " to $\frac{3}{4}$ " conduit to $\frac{9}{16}$ " to $\frac{3}{4}$ " flanges | 100 |
| 16M24 | 16M24SM | 1" conduit to $\frac{1}{8}$ " to $\frac{1}{4}$ " flanges | 100 |
| 16M58 | 16M58SM | 1" conduit to $\frac{5}{16}$ " to $\frac{1}{2}$ " flanges | 100 |
| 16M912 | 16M912SM | 1" conduit to $\frac{9}{16}$ " to $\frac{3}{4}$ " flanges | 100 |
| 20M24 | 20M24SM | $\frac{1}{4}$ " conduit to $\frac{1}{8}$ " to $\frac{1}{4}$ " flanges | 100 |
| 20M58 | 20M58SM | $\frac{1}{4}$ " conduit to $\frac{5}{16}$ " to $\frac{1}{2}$ " flanges | 100 |
| 20M912 | 20M912SM | $\frac{1}{4}$ " conduit to $\frac{9}{16}$ " to $\frac{3}{4}$ " flanges | 50 |
| 24M24 | 24M24SM | $\frac{1}{2}$ " conduit to $\frac{1}{8}$ " to $\frac{1}{4}$ " flanges | 50 |
| 24M58 | 24M58SM | $\frac{1}{2}$ " conduit to $\frac{5}{16}$ " to $\frac{1}{2}$ " flanges | 50 |
| 24M912 | 24M912SM | $\frac{1}{2}$ " conduit to $\frac{9}{16}$ " to $\frac{3}{4}$ " flanges | 50 |
| 32M24 | 32M24SM | 2" conduit to $\frac{1}{8}$ " to $\frac{1}{4}$ " flanges | 50 |
| 32M58 | 32M58SM | 2" conduit to $\frac{5}{16}$ " to $\frac{1}{2}$ " flanges | 50 |
| 32M912 | 32M912SM | 2" conduit to $\frac{9}{16}$ " to $\frac{3}{4}$ " flanges | 50 |

Read safety instructions and instruction sheets contained in packages before using or applying fastener.

CONDUIT
Conduit/Cable

CADDY

| | | | | | |
|--------------------|-----------|------------------|-----------|-------------------|--------|
| ▲ 4G8S7WH | 183 | 5288P | 190 | 6Z3416P | 65 |
| ▲ 4G8WH | 183 | 6120T6HD | 100 | ★ 6Z34812M | 65 |
| ▲ 4G9 | 184 | 6120T6SS | 100 | 6Z348P | 65 |
| ★ 4H24 | 88 | ★ 6A | 204 | ★ 708 | 204 |
| ★ 4H58 | 88,206 | 6A12A12HD | 101 | ★ 70824 | 89,130 |
| ★ 4H912 | 88,206 | 6A12A16HD | 101 | ★ 70858 | 89,130 |
| 4J2438 | 98 | 6A12A20HD | 101 | ★ 708912 | 89,130 |
| 4J2438S | 98 | 6A12A24HD | 101 | ★ 708AB | 128 |
| ★ 4LCB | 201 | 6A12A32HD | 101 | ★ 708AO | 128 |
| 4NJ2438 | 98 | 6A12SL20HD | 100 | ★ 708CPNA | 129 |
| ▲ 4TGS | 183-184 | 6A12SL28HD | 100 | 740 | 206 |
| ATA4I | 189 | 6A12SL36HD | 100 | ★ 766A | 141 |
| ATS4I | 189 | ★ 6A24 | 89,130 | 770 | 186 |
| ★ 4TI | 204 | ★ 6A58 | 89,130 | 771 | 186 |
| ★ 4TI24 | 79,89,130 | ★ 6A912 | 89,130 | ★ 781 | 153 |
| ★ 4TI58 | 79,89,130 | ★ 6AB | 128 | ★ 812M | 59 |
| ★ 4TI912 | 79,89,130 | ★ 6A0 | 128 | ★ 812M24 | 61 |
| ★ 4TIB | 128 | ★ 6CPNA | 129 | ★ 812M24SM | 61 |
| ★ 4TICPNA | 129 | ★ 6EBN | 208 | ★ 812M4I | 59,79 |
| ★ 4TI0 | 128 | ★ 6M | 59 | ★ 812M58 | 61 |
| ★ 4TW | 131 | ★ 6M24 | 61 | ★ 812M58SM | 61 |
| ▲ 4WN | 79,184 | ★ 6M24SM | 61 | ★ 812M912 | 61 |
| ★ 4Z34 | 65 | ★ 6M4I | 59,79 | ★ 812M912SM | 61 |
| 4Z3412P | 65 | ★ 6M58 | 61 | ★ 812MATA | 189 |
| ★ 4Z3416M | 65 | ★ 6M58SM | 61 | ★ 812MATS | 189 |
| 4Z3416P | 65 | ★ 6M912 | 61 | ★ 812MB18 | 79 |
| ★ 4Z34812M | 65 | ★ 6M912SM | 61 | ★ 812MB1824 | 79 |
| 4Z348P | 65 | ★ 6MATA | 189 | ★ 812MB1858 | 79 |
| ★ 510HD | 188 | ★ 6MATS | 189 | ★ 812MB186 | 79 |
| ★ 510HDTC | 188 | ★ 6MB18 | 79 | ★ 812MB18A | 79 |
| 512 | 187 | ★ 6MB1824 | 79 | ★ 812MB18S | 79 |
| ★ 51212 | 187 | ★ 6MB1858 | 79 | ★ 812MF | 142 |
| 51220 | 187 | ★ 6MB186 | 79 | ★ 8D1.5L | 199 |
| 51230 | 187 | ★ 6MB18A | 79 | 8P | 59 |
| 512A | 187 | ★ 6MF | 142 | 8P12P | 67 |
| 512ATC | 187 | 6NJ2438 | 98 | 8P16P | 67 |
| ★ 512HD | 188 | ★ 6T | 204 | 8P24 | 62 |
| ★ 512HDTC | 188 | ★ 6TA24 | 89,130 | 8P24SM | 62 |
| ★ 512HDEEP | 188 | ★ 6TA58 | 89,130 | 8P4I | 59 |
| ★ 512HDEEPTC | 188 | ★ 6TA912 | 89,130 | 8P58 | 62 |
| ★ 512HDXT | 188 | ★ 6TB | 128 | 8P58SM | 62 |
| 512TC | 187 | ★ 6TCPNA | 129 | 8P8P | 67 |
| ▲ 515 | 178 | ★ 6TI | 204 | 8P912 | 62 |
| ▲ 515A | 178 | ★ 6TI24 | 79,89,130 | 8P912SM | 62 |
| 517A | 181 | ★ 6TI58 | 79,89,130 | 8PATA | 189 |
| 517B | 181 | ★ 6TI912 | 79,89,130 | 8PATS | 189 |
| 517C | 181 | ★ 6TIB | 128 | 8PF | 142 |
| 517FCA | 181 | ★ 6TICPNA | 129 | ★ AB | 204 |
| 517FCB | 181 | ★ 6TI0 | 128 | ★ AF14 | 93 |
| 517FCC | 181 | ★ 6T0 | 128 | ★ AF144TI | 93 |
| 520 | 182 | ★ 6W | 131 | ★ AF146A | 93 |
| ★ 528 | 190 | ★ 6Z34 | 65 | ★ AF146T | 93 |
| 52812P | 190 | 6Z3412P | 65 | ★ AF146TI | 93 |
| 52816P | 190 | ★ 6Z3416M | 65 | ★ AF14708 | 93 |

† = In Canada Only

● = UL Listing Applied for and Pending

▲ =  ★ = 

(continued on page 222)