

# Sizing Chart

UL & cUL Listed  
Box and Conduit Support

CATALOG NUMBER	FIG. NO.	DESCRIPTION MOUNTS 4" SQ. BOXES WITH	PKG. PER BOX
812MB18	1	1/2" & 3/4" conduit from #12 wire thru 1/4" rod	25
812MB186	1	1/2" & 3/4" conduit to 3/8" plain or threaded rod	25
16MB18	1	1" conduit from #12 wire thru 1/4" rod	25
16MB186	1	1" conduit to 3/8" plain or threaded rod	25
6MB18	1	MC, AC cable from #12 wire thru 1/4" flange	25
6MB186	1	MC, AC cable 3/8" plain or threaded rod	25
812MB18A	2	1/2" & 3/4" conduit plain center hole for screw or threaded rod mount	25
16MB18A	2	1" conduit plain center hole for screw or threaded rod mount	25
6MB18A	2	MC, AC cable plain center hole for screw or threaded rod mount	25
812MB18S	3	1/2" & 3/4" conduit with 1/4"-20 x 3/16" stud in center hole	25
812MB1824	4	1/2" & 3/4" conduit to 1/8" thru 1/4" flange	25
812MB1858	4	1/2" & 3/4" conduit to 5/16" thru 1/2" flange	25
16MB1824	4	1" conduit to 1/8" thru 1/4" flange	25
16MB1858	4	1" conduit to 5/16" thru 1/2" flange	25
6MB1824	4	MC, AC cable 1/8" thru 1/4" flange	25
6MB1858	4	MC, AC cable 5/16" thru 1/2" flange	25
*(XXX)CO	5	Factory riveted assembly for multiple conduit clips. Includes mounting plate and center conduit clips pre-riveted (additional conduit clips ordered separately). See Fig. 6A.	25
6M4I	6A	14-2 thru 12-3 MC/AC and 3/8" Flexible Conduit; 1/4"-20 Thread Impression	100
812M4I	6A	1/2" to 3/4" Conduit; 1/4"-20 Thread Impression	100
16M4I	6A	1" Conduit; 1/4"-20 Thread Impression	100
S3575BP50	6B	1/4" - 20 x 3/8" Round Head Screw	50
4WN	7	1/4"-20 thread impression washer wing nut	100
4TI24	8	1/4" threaded rod to 5/16" thru 1/4" flange	100
4TI58	8	1/4" threaded rod to 5/16" thru 1/2" flange	100
4TI912	8	1/4" threaded rod to 9/16" thru 3/4" flange	100
6TI24	8	3/8" threaded rod to 5/16" thru 1/4" flange	100
6TI58	8	3/8" threaded rod to 5/16" thru 1/2" flange	100
6TI912	8	3/8" threaded rod to 9/16" thru 3/4" flange	100

\*To order with B18CO, add the suffix "C" to any catalog number Figure 1 through 4 above.

Read safety instructions and instruction sheets contained in packages before using or applying fastener.

**BOX**  
**Conduit/Cable**

**CADDY**

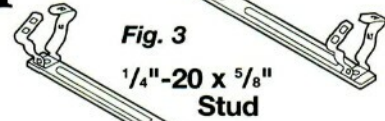
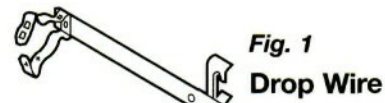
# Combination Box/Conduit Hangers From DropWire/Rod And Beam

## B18 Series

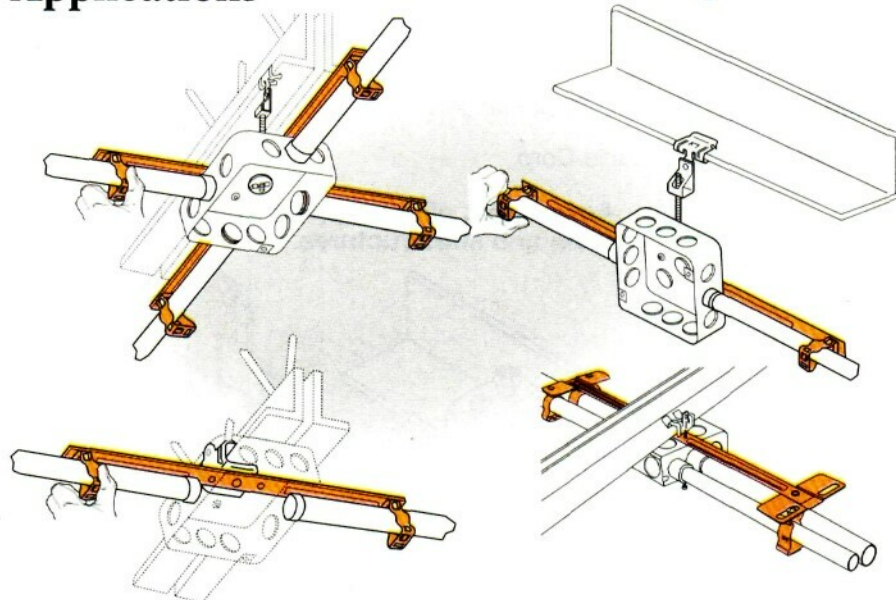
### Features

- One riveted assembly.
- No conduit bends (beam application).
- 66% less Drop Wires (rod/wire application).
- Delivers with NEC & CEC compliance, refer to the new 1999 CADDY Code Book.

**NOTE:** May require dedicated drop wire/rod and EC311 (See Pgs. 36, 37, 50 & 192)  
– Consult local authority.



### Applications



**BOX**  
**Conduit/Cable**