

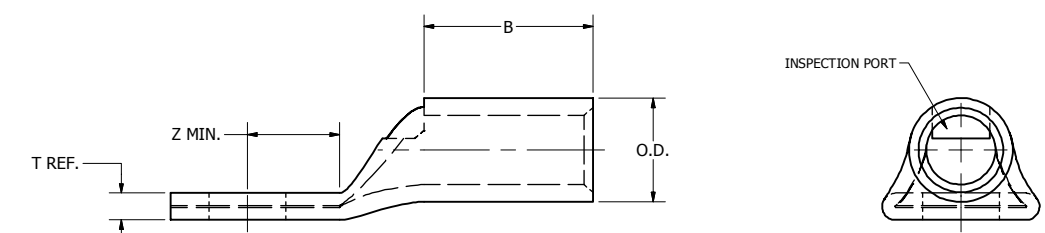
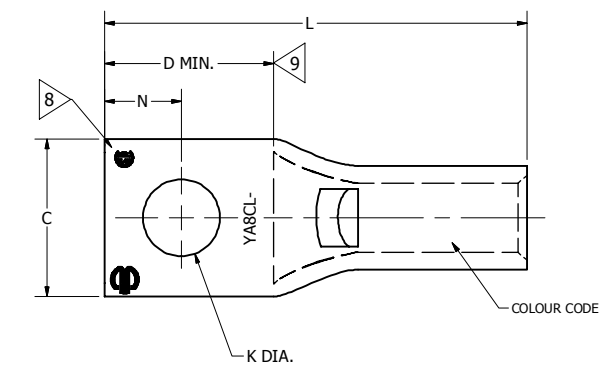
REV	DATE	DESCRIPTION	ECO	BY	CHK
B	01/23/2015	UPDATED AS PER MARKUP	38980	AS	MB

CATALOG NUMBER	CONDUCTOR SIZE	STUD SIZE	DIMENSIONS IN INCHES							Z MIN.
			B	C	K DIA.	N	L	T	O.D.	
YAL8CT10	8 STR.	10	.44 [11]	.41 [10]	.21 [5]	.22 [6]	1.16 [29]	.08 [2]	.27 [7]	.26 [7]
YAL8CT14		1/4	.44 [11]	.44 [11]	.27 [7]	.25 [6]	1.28 [33]	.08 [2]	.27 [7]	.33 [8]
YAL8CT516		5/16	.44 [11]	.52 [13]	.33 [8]	.34 [9]	1.38 [35]	.06 [2]	.27 [7]	.36 [9]
YAL8CT38		3/8	.44 [11]	.58 [15]	.40 [10]	.41 [10]	1.51 [38]	.06 [2]	.27 [7]	.42 [11]
YAL6CT10	6 STR.	10	.54 [14]	.41 [10]	.20 [5]	.22 [6]	1.27 [32]	.09 [2]	.29 [7]	.23 [6]
YAL6CT14		1/4	.54 [14]	.45 [11]	.27 [7]	.31 [8]	1.45 [37]	.08 [2]	.29 [7]	.33 [8]
YAL6CT516		5/16	.54 [14]	.52 [13]	.33 [8]	.34 [9]	1.52 [39]	.07 [2]	.29 [7]	.36 [9]
YAL6CT38		3/8	.54 [14]	.63 [16]	.41 [10]	.41 [10]	1.62 [41]	.06 [2]	.29 [7]	.42 [11]
YAL4CT10	4 STR.	10	.81 [21]	.51 [13]	.21 [5]	.25 [6]	1.58 [40]	.09 [2]	.34 [9]	.24 [6]
YAL4CT14		1/4	.81 [21]	.51 [13]	.27 [7]	.31 [8]	1.74 [44]	.09 [2]	.34 [9]	.33 [8]
YAL4CT516		5/16	.81 [21]	.51 [13]	.33 [8]	.34 [9]	1.79 [45]	.09 [2]	.34 [9]	.36 [9]
YAL4CT38		3/8	.81 [21]	.58 [15]	.41 [10]	.41 [10]	1.95 [50]	.08 [2]	.34 [9]	.42 [11]
YAL2CT14	2 STR.	1/4	.88 [22]	.61 [15]	.27 [7]	.31 [8]	1.88 [48]	.11 [3]	.42 [11]	.33 [8]
YAL2CT516		5/16	.88 [22]	.61 [15]	.33 [8]	.34 [9]	1.93 [49]	.11 [3]	.42 [11]	.36 [9]
YAL2CT38		3/8	.88 [22]	.61 [15]	.41 [10]	.41 [10]	2.06 [52]	.11 [3]	.42 [11]	.42 [11]
YAL2CT12		1/2	.88 [22]	.73 [19]	.53 [13]	.53 [13]	2.32 [59]	.09 [2]	.42 [11]	.55 [14]
YAL1CT14	1 STR.	1/4	.88 [22]	.68 [17]	.27 [7]	.25 [6]	1.81 [46]	.10 [3]	.46 [12]	.33 [8]
YAL1CT516		5/16	.88 [22]	.68 [17]	.33 [8]	.34 [9]	1.94 [49]	.10 [3]	.46 [12]	.36 [9]
YAL1CT38		3/8	.88 [22]	.68 [17]	.40 [10]	.41 [10]	2.06 [52]	.10 [3]	.46 [12]	.42 [11]
YAL1CT12		1/2	.88 [22]	.73 [19]	.53 [13]	.53 [13]	2.37 [60]	.09 [2]	.46 [12]	.55 [14]

CATALOG NUMBER	CONDUCTOR SIZE	STUD SIZE	DIMENSIONS IN INCHES							Z MIN.
			B	C	K DIA.	N	L	T	O.D.	
YAL25T14	1/0 STR.	1/4	.88 [22]	.75 [19]	.27 [7]	.25 [6]	1.84 [47]	.12 [13]	.51 [13]	.33 [8]
YAL25T516		5/16	.88 [22]	.75 [19]	.33 [8]	.34 [9]	1.96 [50]	.12 [13]	.51 [13]	.36 [9]
YAL25T38		3/8	.88 [22]	.75 [19]	.41 [10]	.41 [10]	2.09 [53]	.12 [13]	.51 [13]	.42 [11]
YAL25T12		1/2	.88 [22]	.75 [19]	.53 [13]	.53 [13]	2.34 [59]	.12 [13]	.51 [13]	.55 [14]
YAL26T516	2/0 STR.	5/16	.94 [24]	.83 [21]	.33 [8]	.34 [9]	2.06 [52]	.12 [3]	.56 [14]	.36 [9]
YAL26T38		3/8	.94 [24]	.83 [21]	.41 [10]	.41 [10]	2.19 [56]	.12 [3]	.56 [14]	.42 [11]
YAL26T12		1/2	.94 [24]	.83 [21]	.53 [13]	.53 [13]	2.44 [62]	.12 [3]	.56 [14]	.55 [14]
YAL27T516	3/0 STR.	5/16	1.00 [25]	.91 [23]	.33 [8]	.34 [9]	2.16 [55]	.13 [3]	.62 [16]	.36 [9]
YAL27T38		3/8	1.00 [25]	.91 [23]	.40 [10]	.41 [10]	2.29 [58]	.13 [3]	.62 [16]	.42 [11]
YAL27T12		1/2	1.00 [25]	.91 [23]	.53 [13]	.53 [13]	2.54 [65]	.13 [3]	.62 [16]	.55 [14]
YAL28T14	4/0 STR.	1/4	.88 [22]	1.02 [26]	.27 [7]	.25 [6]	1.96 [50]	.14 [4]	.69 [18]	.33 [8]
YAL28T38		3/8	.88 [22]	1.02 [26]	.41 [10]	.41 [10]	2.21 [56]	.14 [4]	.69 [18]	.42 [11]
YAL28T12		1/2	.88 [22]	1.02 [26]	.53 [13]	.53 [13]	2.46 [62]	.14 [4]	.69 [18]	.55 [14]
YAL29T12	250 kcmil	1/2	1.06 [27]	1.11 [28]	.53 [13]	.53 [13]	2.67 [68]	.16 [4]	.75 [19]	.55 [14]
YAL30T12	300 kcmil	1/2	1.03 [26]	1.20 [30]	.53 [13]	.53 [13]	2.69 [68]	.16 [4]	.81 [21]	.55 [14]
YAL31T38	350 kcmil	3/8	1.06 [27]	1.29 [33]	.40 [10]	.41 [10]	2.50 [64]	.18 [5]	.88 [22]	.42 [11]
YAL31T12		1/2	1.06 [27]	1.29 [33]	.53 [13]	.53 [13]	2.75 [70]	.18 [5]	.88 [22]	.55 [14]
YAL32T516	400 kcmil	5/16	1.19 [30]	1.40 [36]	.33 [8]	.34 [9]	2.55 [65]	.19 [5]	.95 [24]	.36 [9]
YAL32T38		3/8	1.19 [30]	1.40 [36]	.41 [10]	.41 [10]	2.68 [68]	.19 [5]	.95 [24]	.42 [11]
YAL32T12		1/2	1.19 [30]	1.40 [36]	.53 [13]	.53 [13]	2.93 [74]	.19 [5]	.95 [24]	.55 [14]
YAL32T58		5/8	1.19 [30]	1.40 [36]	.69 [18]	.66 [17]	3.18 [81]	.19 [5]	.95 [24]	.67 [17]
YAL34T38	500 kcmil	3/8	1.27 [32]	1.55 [39]	.41 [10]	.41 [10]	2.87 [73]	.22 [6]	1.06 [27]	.42 [11]
YAL34T12		1/2	1.27 [32]	1.55 [39]	.53 [13]	.53 [13]	3.12 [79]	.22 [6]	1.06 [27]	.55 [14]
YAL34T58		5/8	1.27 [32]	1.55 [39]	.69 [18]	.66 [17]	3.37 [86]	.22 [6]	1.06 [27]	.67 [17]
YAL36T38	600 kcmil	3/8	1.38 [35]	1.74 [44]	.41 [10]	.50 [13]	3.22 [82]	.27 [17]	1.19 [30]	.52 [13]
YAL36T12		1/2	1.38 [35]	1.74 [44]	.53 [13]	.53 [13]	3.29 [84]	.27 [17]	1.19 [30]	.55 [14]
YAL36T58		5/8	1.38 [35]	1.74 [44]	.69 [18]	.66 [17]	3.54 [90]	.27 [17]	1.19 [30]	.67 [17]
YAL39T58	750 kcmil	5/8	1.42 [36]	1.91 [49]	.69 [18]	.66 [17]	3.66 [93]	.27 [7]	1.30 [33]	.67 [17]
YAL44T58	1000 kcmil	5/8	1.65 [42]	2.19 [56]	.69 [18]	.66 [17]	4.04 [103]	.33 [8]	1.50 [38]	.67 [17]

CONNECTOR SIZE	TOLERANCES					
	B	C	K DIA.	L	N	O.D.
-8C THRU -25	±.06	±.04	±.02	±.09	±.03	±.01
-26 THRU -34	±.08	±.04	±.02	±.12	±.03	±.01
-35 AND UP	±.09	±.06	±.02	±.15	±.06	±.01

TOLERANCE BLOCK



- NOTES:
- MATERIAL: COPPER TUBING.
 - FINISH: ELECTRO-TIN PLATED.
 - CATALOG # PT6515 ADAPTOR IS REQUIRED TO USE "U" DIES IN Y45 SERIES TOOLS.
 - CATALOG # PUADP-1 ADAPTOR IS REQUIRED TO USE "U" DIES IN Y46 SERIES TOOLS.
 - PERMANENT DIE IN TOOLING.
 - DIMENSIONS IN BRACKETS [] ARE IN MILLIMETERS ROUNDED OFF TO THE NEAREST MILLIMETER, UNLESS OTHERWISE NOTED, AND ARE FOR REFERENCE ONLY.
 - FOR USE BY CUSTOMERS THAT HAVE THIS HYPRESS™. NO NEW Y34A HYPRESS™ TOOLS ARE BEING PROCESSED. Y34A USES A-D NEST DIES ONLY.
 - CONNECTORS ARE CSA CERTIFIED. UNDRILLED VERSIONS ARE NOT CSA CERTIFIED.
 - FOR UNDRILLED VERSIONS ADD SUFFIX "-U" TO END OF CATALOG NUMBER. FOR UNDRILLED VERSIONS, USE D MIN. = N MAX. + Z MIN.
 - "X", "W-RT", "W-VT", "U" & "L" DIE SETS ARE COLOR CODED. "A", "B" AND "C" DIES ARE NOT COLOR CODED. NESTS AND INDENTOR TYPE ARE NOT COLOR CODED.

TO ORDER BURNDY PRODUCTS CALL		COPPER HYLUG™ (WITH T&B TOOLING REFERENCE)	
UNITED STATES 1-800-346-4175 (LONDONDERRY, NH)		ITEM NO: --	
CANADA: 1-800-361-6975 (QUEBEC) 1-800-387-6487 (ALL OTHER PROVINCES)		CAT. NO: YAL-T (TABLE)	
FOR PRODUCT INFO: http://www.burndy.com		DRAWN BY: A.GREEN 4/9/1992	
		CHECKER:	
		DSN APRVL:	
		MFG APRVL:	
		QA APRVL:	
		MKT APRVL:	
PROD FAM: CM&R COMPRESSION		DRAWING NO	
PROJECT #:		SIZE	
DOCUMENT TYPE: SALES		CSD029213	
REL LEVEL: Released		SHEET 1 OF 3	
		REV	
		B	

CATALOG NUMBER	COLOUR CODE	DIE INFORMATION		BURNDY INSTALLATION TOOLING (# CRIMPS)											T&B INSATALLATION TOOLING						
		DIE INDEX	TYPE	MECHANICAL				HYDRAULIC							DIELESS (# CRIMPS)	TBM205	TBM55 CAT.#	TBM8S CAT.# DIE #	TBM12M CAT.# DIE #	12 TON 13642 CAT.# DIE #	15 TON TBM14M TBM 15 DIE #
				Y1MRTC 5	OUR840	MD6 MD7	MD6-R2 MD7-34R	Y500CT PATMD6 PAT600	Y34A Y34B Y34BH	Y35, Y39 Y750, PAT750	Y46 PAT46	Y45	Y48B	Y60BHU							
YAL8CT10 YAL8CT14 YAL8CT516 YAL8CT38	RED	49	RED DIE SET	RED(1)	X8CRT(1) W8CRT(1) W8CVT(1)	X8CRT(1) W8CRT(1) W8CVT(1)	X8CRT(1) W8CRT(1) W8CVT(1)	X8CRT(1) W8CRT(1) W8CVT(1)	-	U8CRT(1)	U8CRT(1)	U8CRT(1)	-	-	RATCHET: Y8MR8-1(1)	TBM205	13454	13461	TBM12D1 #21	11732 #21	15520 #21
			NEST	-	-	-	-	-	-	-	-	-	-	-	MECHANICAL: MY29-3(1) MY29-11(1) MRC840(1)						
			INDENTOR	-	-	-	-	-	-	-	-	-	-	-	HYDRAULIC: Y81KFT (1) Y4PC834 (1)						
YAL6CT10 YAL6CT14 YAL6CT516 YAL6CT38	BLUE	7 374	BLUE DIE SET	BLUE(1)	X5CRT(1) W5CRT(1) W5CVT(1)	X5CRT(1) W5CRT(1) W5CVT(1)	X5CRT(1) W5CRT(1) W5CVT(1)	X5CRT(1) W5CRT(1) W5CVT(1)	-	U5CRT(1) U8CABT(1)	U5CRT(1) U8CABT(1)	U5CRT(1) U8CABT(1)	-	-	MECHANICAL: MY29-3(1) MY29-11(1) MRC840(1)	TBM205	13454	13461	TBM12D1 #21	11733 #24	15522 #24
			NEST	-	-	-	-	-	A6CD(1) B6CD(1)	U6CD-1(1)	U6CD-1(1)	U6CD-1(1)	-	-	HYDRAULIC: Y644(1) Y81KFT (1) Y4PC834 (1)						
			INDENTOR	-	-	-	-	-	Y34PR	Y34PR	Y34PR	Y34PR	-	-							
YAL4CT10 YAL4CT14 YAL4CT516 YAL4CT38	GREY	8 346	GREY DIE SET	GREY (2)	X4CRT(1)	X4CRT(1) W4CRT(1) W4CVT(1)	X4CRT(1) W4CRT(1) W4CVT(1)	X4CRT(1) W4CRT(1) W4CVT(1)	-	U4CRT(1) U6CABT(1)	U4CRT(1) U6CABT(1)	U4CRT(1) U6CABT(1)	-	-	MECHANICAL: MY29-3(1) MY29-11(1) MRC840(1)	TBM205	13454	13461	TBM12D2 #29	11734 #29	15527 #29
			NEST	-	-	-	-	-	A4CD(1) B4CD(1)	U4CD-1(1)	U4CD-1(1)	U4CD-1(1)	-	-	HYDRAULIC: Y644(1) Y81KFT (1) Y4PC834 (1)						
			INDENTOR	-	-	-	-	-	Y34PR	Y34PR	Y34PR	Y34PR	-	-							
YAL2CT14 YAL2CT516 YAL2CT38 YAL2CT12	BROWN	10	BROWN DIE SET	BROWN (2)	X2CRT(1)	X2CRT(2) W2CRT(1) W2CVT(1)	X2CRT(2) W2CRT(1) W2CVT(1)	X2CRT(1) W2CRT(1) W2CVT(1)	-	U2CRT(1)	U2CRT(1)	U2CRT(1)	-	-	MECHANICAL: MY29-3(1) MY29-11(1) MRC840(1)	TBM205	13454	13461	TBM12D2 #33	11735 #33	15528 #33
			NEST	-	-	-	-	-	A2CD(1) B2CD(1)	U2CD-1(1)	U2CD-1(1)	U2CD-1(1)	-	-	HYDRAULIC: Y644(1) Y81KFT (1) Y4PC834 (1)						
			INDENTOR	-	-	-	-	-	Y34PR	Y34PR	Y34PR	Y34PR	-	-							
YAL1CT14 YAL1CT516 YAL1CT38 YAL1CT12	GREEN	11 375	GREEN DIE SET	GREEN (2)	X1CRT-1(1)	X1CRT-1(1) W1CRT-1(1) W1CVT(1)	X1CRT-1(1) W1CRT-1(1) W1CVT(1)	X1CRT-1(1) W1CRT-1(1) W1CVT(1)	-	U1CRT-1(1) U4CABT(1)	U1CRT-1(1) U4CABT(1)	U1CRT-1(1) U4CABT(1)	-	-	MECHANICAL: MY29-3(1) MY29-11(1) MRC840(1)	-	13455	13462	TBM12D3 #37	11736 #37	15513 #37
			NEST	-	-	-	-	-	A1CD(1) B1CD(1)	U1CD-1(1)	U1CD-1(1)	U1CD-1(1)	-	-	HYDRAULIC: Y644(1) Y81KFT (1) Y4PC834 (1)						
			INDENTOR	-	-	-	-	-	Y34PR	Y34PR	Y34PR	Y34PR	-	-							
YAL25T14 YAL25T516 YAL25T38 YAL25T12	PINK	12 348	PINK DIE SET	-	X25CRT(2)	X25RT(2) W25RT(2) W25VT(2)	X25RT(2) W25RT(2) W25VT(2)	X25RT(2) W25RT(2) W25VT(2)	A25R(1)	U25RT(1) U2CABT(1)	U25RT(1) U2CABT(1)	U25RT(1) U2CABT(1)	-	-	MECHANICAL: MY29-3(1) MY29-11(1) MRC840(2)	-	13455	13462	TBM12D3 #42	11737 #42	15508 #42H
			NEST	-	-	-	-	-	A25D(1) B25D(1)	U25D-1(1)	U25D-1(1)	U25D-1(1)	-	-	HYDRAULIC: Y644(1) Y81KFT (1) Y4PC834 (1)						
			INDENTOR	-	-	-	-	-	Y34PR	Y34PR	Y34PR	Y34PR	-	-							
YAL26T516 YAL26T38 YAL26T12	BLACK	13	BLACK DIE SET	-	X26CRT(2)	X26RT(2) W26RT(2) W26VT(2)	X26RT(2) W26RT(2) W26VT(2)	X26RT(2) W26RT(2) W26VT(2)	-	U26RT(1)	U26RT(1)	U26RT(1)	-	-	MECHANICAL: MY29-3(1) MY29-11(1) MRC840(1)	-	13455	13462	TBM12D4 #45	11738 #45	15526 #45
			NEST	-	-	-	-	-	A26D(1) B26D(1)	U26D-1(1)	U26D-1(1)	U26D-1(1)	-	-	HYDRAULIC: Y644(1) Y81KFT (1) Y4PC834 (1)						
			INDENTOR	-	-	-	-	-	Y34PR	Y34PR	Y34PR	Y34PR	-	-							
YAL27T516 YAL27T38 YAL27T12	ORANGE	14	ORANGE DIE SET	-	X27RT(3)	X27RT(3) W27RT(2) W27VT(2)	X27RT(3) W27RT(2) W27VT(2)	X27RT(3) W27RT(2) W27VT(2)	-	U27RT(1)	U27RT(1)	U27RT(1)	-	-	MECHANICAL: MY29-3(1) MY29-11(1) MRC840(2)	-	13455	13462	TBM12D4 #50	11739 #50	15530 #50
			NEST	-	-	-	-	-	A27D(1) B27D(1)	U27D-1(1)	U27D-1(1)	U27D-1(1)	-	-	HYDRAULIC: Y644(1) Y81KFT (2) Y4PC834 (2)						
			INDENTOR	-	-	-	-	-	Y34PR	Y34PR	Y34PR	Y34PR	-	-							

REV	DATE	DESCRIPTION	ECO	BY	CHK
B	01/23/2015	UPDATED AS PER MARKUP	38980	AS	MB

TO ORDER BURNDY PRODUCTS CALL

UNITED STATES
1-800-346-4175 (LONDONDERRY, NH)

CANADA:
1-800-361-6975 (QUEBEC)
1-800-387-6487 (ALL OTHER PROVINCES)

FOR PRODUCT INFO: <http://www.burndy.com>

COPPER HYLUG™ (WITH T&B TOOLING REFERENCE)

ITEM NO: --

CAT. NO: YAL-T (TABLE)

DRAWN BY: A.GREEN 4/9/1992

CHECKER:

DSN APRVL:

MFG APRVL:

QA APRVL:

MKT APRVL:

PROD FAM: CM&R COMPRESSION

PROJECT #:

DOCUMENT TYPE: SALES

REL LEVEL: Released

BURNDY

DRAWING NO
CSD029213

SIZE
D

SHEET 2 OF 3

REV
B

REV	DATE	DESCRIPTION	ECO	BY	CHK
B	01/23/2015	UPDATED AS PER MARKUP	38980	AS	MB

CATALOG NUMBER	COLOUR CODE	DIE INFORMATION		BURNDY INSTALLATION TOOLING (# CRIMPS)											T&B INSATALLATION TOOLING								
		DIE INDEX	TYPE	MECHANICAL				HYDRAULIC							DIELESS (# CRIMPS)	TBM205	TBM55 CAT.#	TBM8S CAT.# DIE #	TBM12M CAT.# DIE #	12 TON 13642 CAT.# DIE #	15 TON TBM14M TBM15 DIE #		
				Y1MRTC 5	OUR840	MD6 MD7	MD6-R2 MD7-34R	Y500CT PATMD6 PAT600	Y34A Y34B Y34BH	Y35, Y39 Y750, PAT750	Y46 PAT46	Y45	Y48B	Y60BHU									
YAL28T14 YAL28T38 YAL28T12	PURPLE	15	PURPLE DIE SET	--	X28RT(3)	X28RT(3) W28RT(2) W28VT(2)	X28RT(3) W28RT(2) W28VT(2)	X28RT(3) W28RT(2) W28VT(2)	--	U28RT(1)	U28RT(1)	U28RT(1)	C28RT(1)	L28RT(1)	MECHANICAL: MY29-3(1) MY29-11(1) MRC840(2)	--	13456	13463	TBM12D5 #54	11740 #54	15511 #54H		
			NEST	--	--	--	--	--	A28D(1) B28D(1)	U28D-1(1)	U28D-1(1)	U28D-1(1)	C28D(1)	--	HYDRAULIC: Y644(1) Y81KFT (2) Y4PC834 (2)								
			INDENTOR	--	--	--	--	--	Y34PR	Y34PR	Y34PR	Y34PR	Y34PR	--									
YAL29T12	YELLOW	16	YELLOW DIE SET	--	X29RT(4)	X29RT(4) W29RT(2) W29VT(2)	X29RT(4) W29RT(2) W29VT(2)	X29RT(4) W29RT(2) W29VT(2)	A29R(1)	U29RT(1)	U29RT(1)	U29RT(1)	C29R(1)	L29RT(1)	MECHANICAL: MY29-3(1) MY29-11(1)	--	13456	13463	TBM12D5 #62	11771 #62	15510 #62		
			NEST	--	--	--	--	--	A29D(1) B29D(1)	U29D-1(1)	U29D-1(1)	U29D-1(1)	C29D(1)	--	HYDRAULIC: Y644(1) Y81KFT (1) Y4PC834 (1)								
			INDENTOR	--	--	--	--	--	Y34PR	Y34PR	Y34PR	Y34PR	Y48PR	--									
YAL30T12	WHITE	17 298	WHITE DIE SET	--	--	W30VT(2)	W30RT(2) W30VT(2)	W30RT(2) W30VT(2)	A28AR(1)	U30RT(2) U28ART(2)	U30RT(2) U28ART(2)	U30RT(2) U28ART(2)	C30R(2) C28AR(2)	L30RT(1)	HYDRAULIC: Y644(1) Y81KFT (2) Y4PC834 (2)	--	--	13465	TBM12D5 #66H	11747 #66H	15534 #66		
			NEST	--	--	--	--	--	A30D(1) B30D(1)	U30D-1(1)	U30D-1(1)	U30D-1(1)	C30D(1)	--									
			INDENTOR	--	--	--	--	--	Y34PR	Y34PR	Y34PR	Y34PR	Y48PR	--									
YAL31T38 YAL31T12	RED	18 324	RED DIE SET	--	--	W31VT(2)	W31RT(2) W31VT(2)	W31RT(2) W31VT(2)	--	U31RT(2) U29ART(2)	U31RT(2) U29ART(2)	U31RT(2) U29ART(2)	C31R(2) C29AR(2)	L31RT(1) L29ART(1)	HYDRAULIC: Y644(1) Y81KFT (2) Y4PC834 (2)	--	--	13466	TBM12D4 #71H	11743 #71H	15516 #71H		
			NEST	--	--	--	--	--	A31D(1) B31D(1)	U31D-1(1)	U31D-1(1)	U31D-1(1)	C31D(1)	--									
			INDENTOR	--	--	--	--	--	Y34PR	Y34PR	Y34PR	Y34PR	Y48PR	--									
YAL32T516 YAL32T38 YAL32T12 YAL32T58	BLUE	19 470	BLUE DIE SET	--	--	W32VT(2)	W32RT(2) W32VT(2)	W32RT(2) W32VT(2)	--	U32RT(2) U30ART(2)	U32RT(2) U30ART(2)	U32RT(2) U30ART(2)	C31R(2) C29AR(2)	L32RT(1) L30ART(1)	HYDRAULIC: Y644(1) Y81KFT (2) Y4PC834 (2)	--	--	13467	TBM12D4 #76H	11744 #76H	15517 #76		
			NEST	--	--	--	--	--	A32D(1) B32D(1)	U32D-1(1)	U32D-1(1)	U32D-1(1)	C32D(1)	--									
			INDENTOR	--	--	--	--	--	Y34PR	Y34PR	Y34PR	Y34PR	Y48PR	--									
YAL34T38 YAL34T12 YAL34T58	BROWN	20 299	BROWN DIE SET	--	--	W34VT(2)	W34RT(2) W34VT(2)	W34RT(2) W34VT(2)	--	U34RT(2) U31ART(1)	U34RT(2) U31ART(1)	U34RT(2) U31ART(1)	C34R(1) C31AR(1)	L34RT(1)	HYDRAULIC: Y644(1) Y81KFT (2) Y4PC834 (2)	--	--	13468	TBM12D3 #87H	11746 #87H	15506 #87H		
			NEST	--	--	--	--	--	B34D(1) A34D(1)	U34D-1(1)	U34D-1(1)	U34D-1(1)	C34D(1)	--									
			INDENTOR	--	--	--	--	--	Y34PR	Y34PR	Y34PR	Y34PR	Y48PR	--									
YAL36T38 YAL36T12 YAL36T58	GREEN	22 472	GREEN DIE SET	--	--	--	--	--	--	U36RT(2) U32ART(2)	U36RT(2) U32ART(2)	U36RT(2) U32ART(2)	C36R(1) C32AR(1)	L36RT(1) L32ART(1)	HYDRAULIC: Y644(1) Y81KFT (2) Y4PC834 (2)	--	--	--	TBM12D3 #94H	11747 #94H	15611 #94H		
			NEST	--	--	--	--	--	--	--	--	--	C36D(1)	--									
			INDENTOR	--	--	--	--	--	--	--	--	--	Y48PR	--									
YAL39T58	BLACK	24	BLACK DIE SET	--	--	--	--	--	--	U39RT(2)	U39RT(2)	U39RT(2)	C39R(1) C36AR(1)	L39RT(1) L36ART(1)	HYDRAULIC: Y644(1) Y81KFT (3) Y4PC834 (3)	--	--	--	TBM12D2 #106H-107H	11749 #106H	15515 #106H		
			NEST	--	--	--	--	--	--	--	--	--	C39D(1)	--									
			INDENTOR	--	--	--	--	--	--	--	--	--	Y48PR	--									
YAL44T58	WHITE	27	WHITE DIE SET	--	--	--	--	--	--	--	--	--	P44RT(3)	S44RT(3)	C44R(1)	L44RT(2)	HYDRAULIC: Y644(1) Y81KFT (3) Y4PC834 (3)	--	--	--	--	--	--
			NEST	--	--	--	--	--	--	--	--	--	P44D(1)	--	C44D(1)	--							
			INDENTOR	--	--	--	--	--	--	--	--	--	P44PR	--	Y48PR	--							

TO ORDER BURNDY PRODUCTS CALL		COPPER HYLUG™ (WITH T&B TOOLING REFERENCE)	
UNITED STATES 1-800-346-4175 (LONDONDERRY, NH)		ITEM NO: --	
CANADA: 1-800-361-6975 (QUEBEC) 1-800-387-6487 (ALL OTHER PROVINCES)		CAT. NO: YAL-T (TABLE)	
FOR PRODUCT INFO: http://www.burndy.com		DRAWN BY: A.GREEN 4/9/1992	
		CHECKER:	
		DSN APRVL:	
		MFG APRVL:	
		QA APRVL:	
		MKT APRVL:	
PROD FAM: CM&R COMPRESSION		DRAWING NO	
PROJECT #:		SIZE	
DOCUMENT TYPE: SALES		CSD029213	
REL LEVEL: Released		SHEET 3 OF 3	
		REV	
		B	

