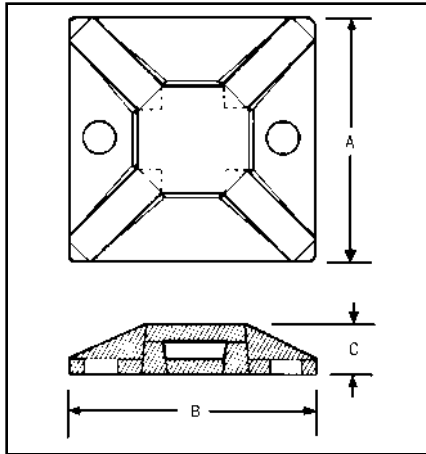


MOUNTING BASES

BURNDY® offers a wide variety of mounting bases suited for many applications. Mounting bases are used in conjunction with cable ties to stabilize and secure wire bundles, both indoors and outdoors. Mounting bases can be secured to a surface using rubber based adhesive, acrylic adhesive, or also can be screw mounted.

BURNDY's 4-way mounting bases are available in four sizes to accommodate CT18 through CT50 series cable ties. Insertion of ties can be made from all sides. Each mount may be secured with two screws, with adhesive backing, or both, for ease of application and stability. For applications where higher temperatures, certain chemicals, or UV radiation are a concern and an adhesive is the preferred method for securing, the acrylic adhesive 4-way mounting bases are recommended.



The 2-way mounting bases may be secured with one screw, with adhesive backing, or both, and allow ties to be inserted from two sides.

4-Way



Catalog Number	Mounting Method	Maximum Tie Slot Width	Dimension A	Dimension B	Dimension C	Pkg. Qty.
CTB075S4C	#4 Screw	.14"	.75"	.75"	.15"	100
CTB075AA4C	Acrylic Adhesive	.14"	.75"	.75"	.15"	100
CTB075RA4C	Rubber Adhesive	.14"	.75"	.75"	.15"	100
CTB075RA4M	Rubber Adhesive	.14"	.75"	.75"	.15"	1000
CTB125S4C	#8 Screw	.20"	1.125"	1.125"	.19"	100
CTB125AA4C	Acrylic Adhesive	.20"	1.125"	1.125"	.19"	100
CTB125RA4C	Rubber Adhesive	.20"	1.125"	1.125"	.19"	100
CTB125RA4L	Rubber Adhesive	.20"	1.125"	1.125"	.19"	50
CTB125RA4D	Rubber Adhesive	.20"	1.125"	1.125"	.19"	500
CTB150S4B	#8 Screw	.35"	1.5"	1.5"	.25"	250
CTB150AA4C	Acrylic Adhesive	.35"	1.5"	1.5"	.25"	100
CTB150RA4C	Rubber Adhesive	.35"	1.5"	1.5"	.25"	100
CTB150RA4B	Rubber Adhesive	.35"	1.5"	1.5"	.25"	250

All bases listed above are natural. UV Black mounting bases are also available in nearly every size. Insert "0" after the part number.

2-Way

Catalog Number	Mounting Method	Maximum Tie Slot Width	Dimension A	Dimension B	Dimension C	Pkg. Qty.
CTB125S2C	#6 Screw	.18"	1.125"	1.125"	.21"	100
CTB125RA2C	Rubber Adhesive	.18"	1.125"	1.125"	.21"	100

All bases listed above are natural. UV Black mounting bases are also available in nearly every size. Insert "0" after the part number.

Blue highlighted items are industry standard and most frequently ordered.