



LR65566

Tel: (450) 449-0412 ; 1-866-540-0412 Fax: (450)449-9115 ; 1-866-499-9115



E153598

SÉRIES DO/DC/DL SERIES

2000 VA, # DE PIÈCE / PART # : D _ 2000YZ

SPÉCIFICATIONS ÉLECTRIQUES / ELECTRICAL SPECIFICATIONS

PHASE:

FREQ.:

CLASSE ISOL. / INSUL. CLASS:

ELEV. TEMP. / TEMP. RISE:

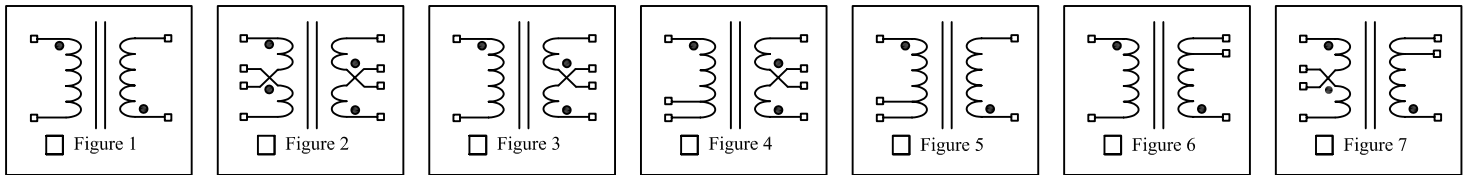
NIV. DE BRUIT / SOUND LEVEL:

TENSION / Y / PRIMARY / PRIMAIRE VOLTAGE

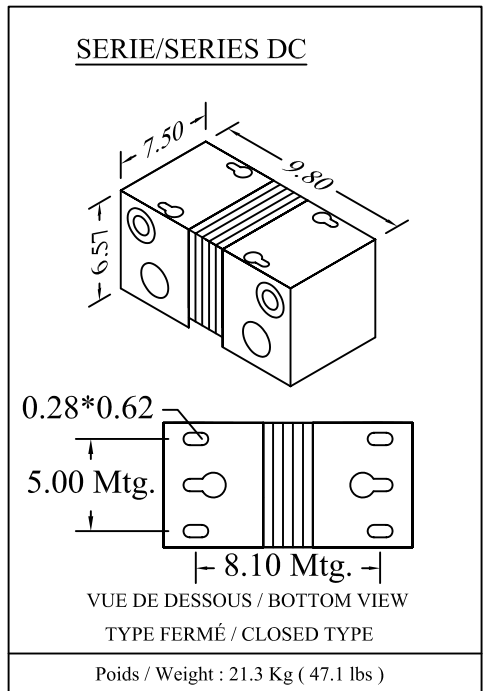
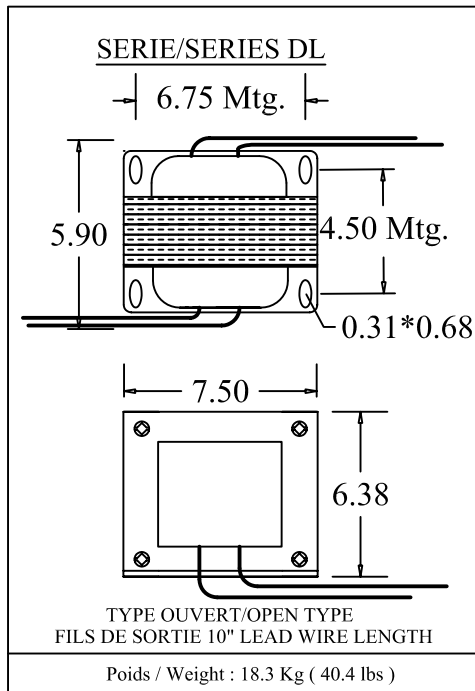
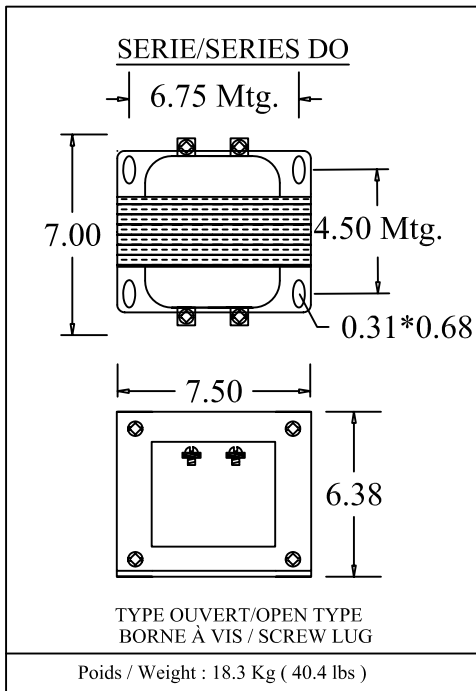
A = 12 J = 347
 B = 24 K = 380
 C = 12/24 L = 347/380
 D = 16/32 M = 416
 E = 120 N = 208/416
 F = 208 O = 480*
 G = 240 P = 240/480
 H = 120/240 Q = 600*
 I = 277 S = _____
 U = 480/600*

TENSION / Z / SECONDARY SEC. VOLTAGE

A = 12 J = 347
 B = 24 K = 380
 C = 12/24 L = 347/380
 D = 16/32 M = 416
 E = 120 N = 208/416
 F = 208 O = 480*
 G = 240 P = 240/480
 H = 120/240 Q = 600*
 I = 277 S = _____
 U = 480/600*



SPÉCIFICATIONS MÉCANIQUES / MECHANICAL SPECIFICATIONS: (dimensions = pouces/Inches).



Toutes les dimensions sont approximatives. Spécifications peuvent changer sans préavis.
All dimensions and weights are approximate. Specifications may change without notice.



NUMÉRO DE MODÈLE:
MODEL NUMBER:
D _ 2000 _ _

ZONE	REV	REVISION	DESCRIPTION	DATE	APPROVAL APPROB.

Dessiné par: / Drawn by: SS

DWG NO. 71CUDO/DC/DL2000

REV 05

DATE: FEBRUARY/25/08

PAGE: 1 de 1