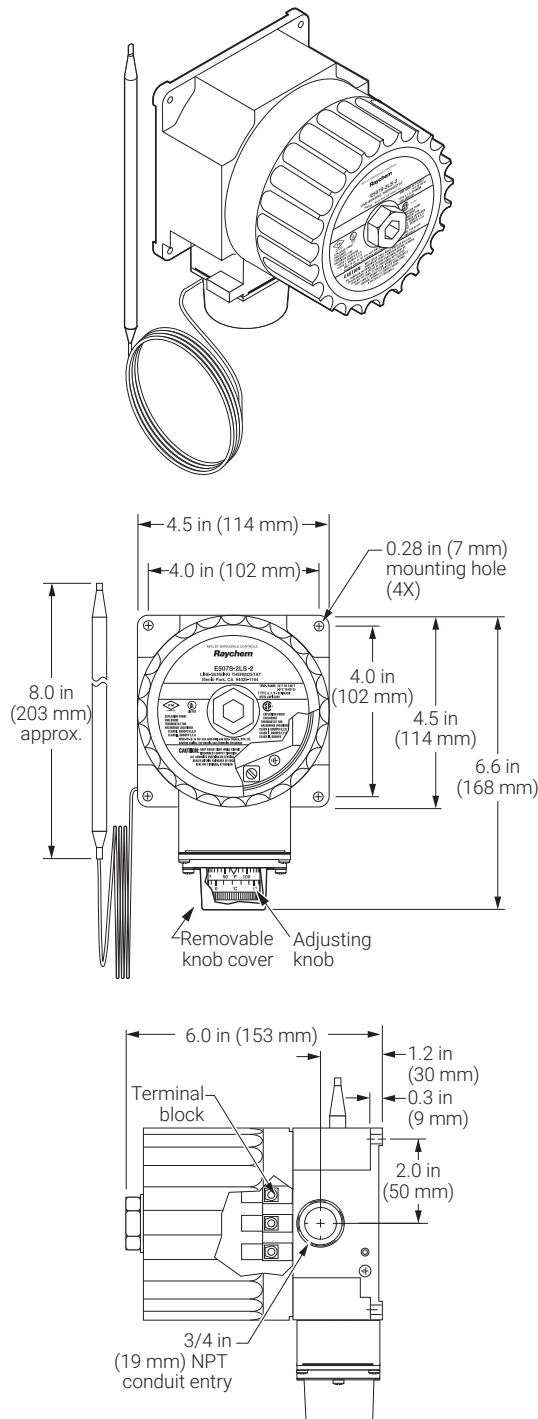


E507S-2LS-2



RAYCHEM

DOUBLE-POLE LINE-SENSING THERMOSTAT FOR HAZARDOUS LOCATIONS



PRODUCT OVERVIEW

The nVent RAYCHEM E507S-2LS-2 thermostat is designed to control heat-tracing systems in hazardous locations. The thermostat functions as a double-pole single-throw (DPST) switch, opening and closing the electrical connection to both heating cable bus wires. The E507S-2LS-2 senses pipe or tank wall temperatures and is used to control one heat-tracing circuit directly.

SPECIFICATIONS

Enclosure	TYPE 4, 7, 9, lacquer-coated cast-aluminum housing, stainless steel hardware
Entries	One 3/4-in NPT conduit hub
Set point range	25°F to 325°F (−4°C to 163°C)
Sensor exposure limits	−40°F to 420°F (−40°C to 215°C)
Housing exposure limits	−40°F to 140°F (−40°C to 60°C)
Switch	DPST
Electrical rating	22 A at 208 / 240 Vac
Relay coil	208–240 Vac, 4 VA
Accuracy	±6°F (±3.3°C)
Deadband	2°F to 12°F (1.1°C to 6.7°C) above actuation temperature
Set point repeatability	±3°F (±1.7°C)
Sensor type	Fluid-filled (silicone) bulb and 9 ft (2.7 m) capillary
Sensor material	300 series stainless steel
Connection terminals	Screw terminals, 10–14 AWG (2–5 mm ²)

APPROVALS

Hazardous Locations



Class I, Div. 1 and 2, Groups B, C, D
Class II, Div. 1 and 2, Groups E, F, G
Class III

North America

Tel +1.800.545.6258
Fax +1.800.527.5703
thermal.info@nvent.com

Europe, Middle East, Africa

Tel +32.16.213.511
Fax +32.16.213.603
thermal.info@nvent.com

Asia Pacific

Tel +86.21.2412.1688
Fax +86.21.5426.3167
cn.thermal.info@nvent.com

Latin America

Tel +1.713.868.4800
Fax +1.713.868.2333
thermal.info@nvent.com



nVent.com

Our powerful portfolio of brands:

CADDY ERICO HOFFMAN RAYCHEM SCHROFF TRACER