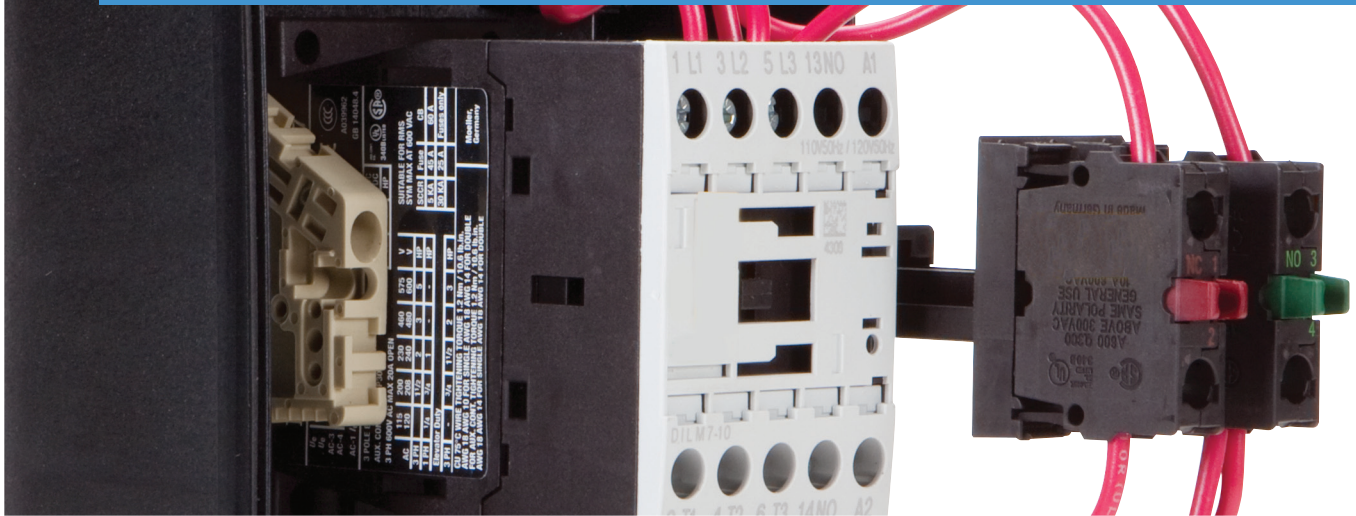


XT IEC Non-Metallic 4X Enclosed Non-Combination Starter



XT 4X Non-Metallic Enclosed Starters Offer Affordability and Versatility!

Eaton is introducing a line of XT Non-Combination controllers perfect for customers looking for a compact motor control assembly at the right

price. The new offering is available in IP 65 (NEMA 4X) polycarbonate enclosures in non-reversing configurations up to 25hp @ 600Vac. Eaton offers this product with a variety of 22 mm pushbuttons for cover control series M22 and a variety of control

voltages. Best of all these controllers all come with XT starter/contactors. The XT components meet all the industry standards you require, including CSA, UL, CCC, RoHS, IP20 and more.

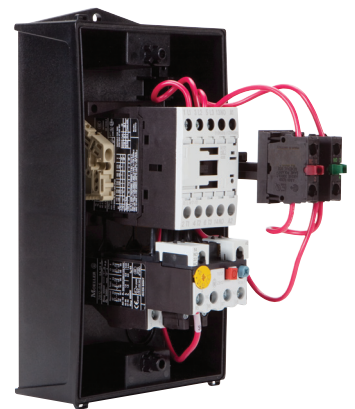
New XT IEC Non-Metallic Enclosed Non-Combination Starter Features:

- Compact and robust design for ease of mounting
- Utilizes XT Series of IEC contactors (Amperage range B to H) and overloads
- 'Fixed adjustable' type of

overload relays are available

- Start/Stop (I/O), Hand/Off/Auto, or ON/OFF (I/O) with or without Run Light, and Overload 'Reset' 22mm series M22 push-buttons come standard
- Variety of control voltages available
- Meets the latest CSA 22.2 #14 specification

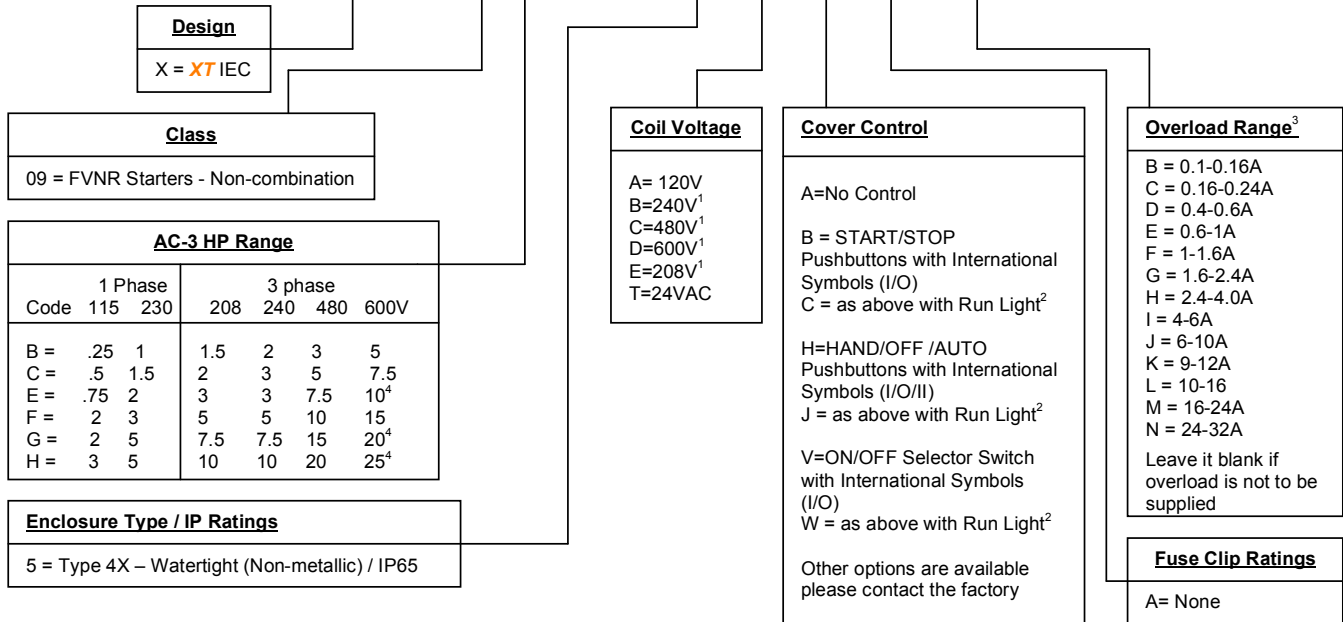
- Available up to 25Hp @ 600Vac, in FVNR configurations
- IP 65 (NEMA 4X) type enclosures
- Utilizes electrical operators to energize the starter providing longer component life
- Option for 2-wire control
- Low profile enclosure for easy access to starter



Powering Business Worldwide

Celebrating
100 YEARS
Ideals that Endure

ECX 09 B 5 A A A -



- 1) A ten percent price adder is added for non-standard (i.e. non 120V or 24Vac) control voltages such as 208V, 240V, 480V, 600V and 24VDC.
- 2) Indicating lights are available up to 240 volt
- 3) For your flexibility distributors can order units without overloads and supply them separately
- 4) Recommended distributor stocking with cover control options B and H

NEMA 4X Non-Metallic Polycarbonate Enclosed Starter CAT #	Frame Size	Coil Voltage	Cover Control	Enclosed Starter List Price	NEMA 4X Non-Metallic Polycarbonate Enclosed Starter CAT #	Frame Size	Coil Voltage	Cover Control	Enclosed Starter List Price
ECX09B5AAA-	B	120Vac	No Control	\$ 203.00	ECX09F5AAA-	F	120Vac	No Control	\$ 358.00
ECX09B5ABA-	B	120Vac	I/O	\$ 354.00	ECX09F5ABA-	F	120Vac	I/O	\$ 509.00
ECX09B5ACA-	B	120Vac	I/O with Run Light	\$ 637.00	ECX09F5ACA-	F	120Vac	I/O with Run Light	\$ 792.00
ECX09B5AHA-	B	120Vac	Hand/OFF/Auto	\$ 354.00	ECX09F5AHA-	F	120Vac	Hand/OFF/Auto	\$ 509.00
ECX09B5AJA-	B	120Vac	Hand/OFF/Auto with Run Light	\$ 637.00	ECX09F5AJA-	F	120Vac	Hand/OFF/Auto with Run Light	\$ 792.00
ECX09C5AAA-	C	120Vac	No Control	\$ 250.00	ECX09G5AAA-	G	120Vac	No Control	\$ 397.00
ECX09C5ABA-	C	120Vac	I/O	\$ 401.00	ECX09G5ABA-	G	120Vac	I/O	\$ 548.00
ECX09C5ACA-	C	120Vac	I/O with Run Light	\$ 684.00	ECX09G5ACA-	G	120Vac	I/O with Run Light	\$ 831.00
ECX09C5AHA-	C	120Vac	Hand/OFF/Auto	\$ 401.00	ECX09G5AHA-	G	120Vac	Hand/OFF/Auto	\$ 548.00
ECX09C5AJA-	C	120Vac	Hand/OFF/Auto with Run Light	\$ 684.00	ECX09G5AJA-	G	120Vac	Hand/OFF/Auto with Run Light	\$ 831.00
ECX09E5AAA-	E	120Vac	No Control	\$ 326.00	ECX09H5AAA-	H	120Vac	No Control	\$ 546.00
ECX09E5ABA-	E	120Vac	I/O	\$ 477.00	ECX09H5ABA-	H	120Vac	I/O	\$ 697.00
ECX09E5ACA-	E	120Vac	I/O with Run Light	\$ 760.00	ECX09H5ACA-	H	120Vac	I/O with Run Light	\$ 980.00
ECX09E5AHA-	E	120Vac	Hand/OFF/Auto	\$ 477.00	ECX09H5AHA-	H	120Vac	Hand/OFF/Auto	\$ 697.00
ECX09E5AJA-	E	120Vac	Hand/OFF/Auto with Run Light	\$ 760.00	ECX09H5AJA-	H	120Vac	Hand/OFF/Auto with Run Light	\$ 980.00

Overload Cat #	Frame Size	FLA Range	Overload List Price
XTOBP16BC1	B-E	0.1-0.16	\$ 98.00
XTOBP24BC1	B-E	0.16-0.24	\$ 98.00
XTOBP06BC1	B-E	0.4-0.6	\$ 98.00
XTOB001BC1	B-E	0.6-1	\$ 98.00
XTOB1P6BC1	B-E	1-1.6	\$ 98.00
XTOB2P4BC1	B-E	1.6-2.4	\$ 98.00
XTOB004BC1	B-E	2.4-4	\$ 98.00
XTOB006BC1	B-E	4-6	\$ 98.00
XTOB010BC1	B-E	6-10	\$ 98.00
XTOB006CC1	F-H	4-6	\$ 105.00
XTOB010CC1	F-H	6-10	\$ 105.00
XTOB016CC1	F-H	10-16	\$ 105.00
XTOB024CC1	F-H	16-24	\$ 105.00
XTOB032CC1	F-H	24-32	\$ 123.00

Discount MC7