









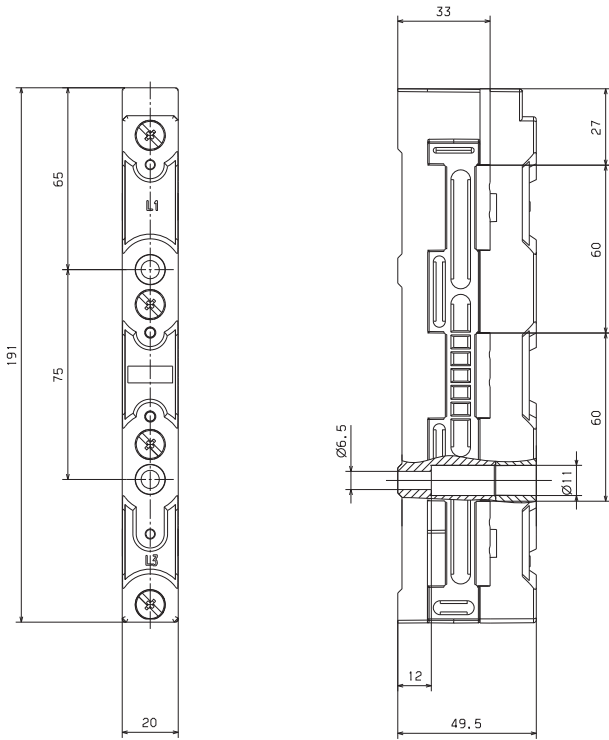


	Poles Number	Max. Rated Operational Current I _e (A)	Special Features	Utilisation	Designation Article No.	Notes Article No.	Units per Package																																																						
End Cover																																																													
	–	–	–	To cover the busbar ends for BBS-3/FL and BBS-3/FL-NA	ES-BBS-3/FL 107068		10 units																																																						
UL Base Plate																																																													
<ul style="list-style-type: none"> • Silicone-free, chlorine-free • Self-extinguishing according to UL 94 • Temperature-resistant up to 110°C 																																																													
	–	–	To be used when the air gap between fully equipped busbar systems and mounting plate is insufficient	Necessary for UL support BBS-3/FL-NA	BBC-BT-NA 107172	1100 mm long	2 units																																																						
Busbar Covers																																																													
<ul style="list-style-type: none"> • Silicone-free, chlorine-free • Self-extinguishing according to UL 94 • Temperature-resistant up to 110°C 																																																													
	–	–	–	12 x 5 15 x 5 20 x 5 25 x 5 30 x 5	BBC-FL5 107173	12-30x5 1000 mm long	10 units																																																						
	–	–	–	12 x 10 15 x 10 20 x 10 25 x 10 30 x 10	BBC-FL10 107174	12-30x10 1000 mm long	10 units																																																						
<table border="1"> <thead> <tr> <th></th> <th>Max. Rated Operational Current I_e (A)</th> <th>Dimension (mm x mm)</th> <th>Length (mm)</th> <th>Designation Article No.</th> <th>Notes</th> <th>Units per Package</th> </tr> </thead> <tbody> <tr> <td colspan="7">Flat Copper Rails</td> </tr> <tr> <td rowspan="2"></td> <td rowspan="2">160</td> <td rowspan="2">12 x 5</td> <td>1500</td> <td>CU12X5 034121</td> <td>tinned</td> <td>10 units</td> </tr> <tr> <td>2250</td> <td>CU12X5-2250 005093</td> <td>tinned</td> <td>10 units</td> </tr> <tr> <td rowspan="2"></td> <td rowspan="2">250</td> <td rowspan="2">20 x 5</td> <td>1500</td> <td>CU20X5 044092</td> <td>tinned</td> <td>10 units</td> </tr> <tr> <td>2250</td> <td>CU20X5-2250 007466</td> <td>tinned</td> <td>10 units</td> </tr> <tr> <td rowspan="2"></td> <td rowspan="2">460</td> <td rowspan="2">20 x 10</td> <td>1500</td> <td>CU20X10 041719</td> <td>tinned</td> <td>10 units</td> </tr> <tr> <td>2250</td> <td>CU20X10-2250 009839</td> <td>tinned</td> <td>10 units</td> </tr> <tr> <td></td> <td>630</td> <td>30 x 10</td> <td>1500</td> <td>CU30X10 051211</td> <td>untreatedly</td> <td>10 units</td> </tr> </tbody> </table>									Max. Rated Operational Current I _e (A)	Dimension (mm x mm)	Length (mm)	Designation Article No.	Notes	Units per Package	Flat Copper Rails								160	12 x 5	1500	CU12X5 034121	tinned	10 units	2250	CU12X5-2250 005093	tinned	10 units		250	20 x 5	1500	CU20X5 044092	tinned	10 units	2250	CU20X5-2250 007466	tinned	10 units		460	20 x 10	1500	CU20X10 041719	tinned	10 units	2250	CU20X10-2250 009839	tinned	10 units		630	30 x 10	1500	CU30X10 051211	untreatedly	10 units
	Max. Rated Operational Current I _e (A)	Dimension (mm x mm)	Length (mm)	Designation Article No.	Notes	Units per Package																																																							
Flat Copper Rails																																																													
	160	12 x 5	1500	CU12X5 034121	tinned	10 units																																																							
			2250	CU12X5-2250 005093	tinned	10 units																																																							
	250	20 x 5	1500	CU20X5 044092	tinned	10 units																																																							
			2250	CU20X5-2250 007466	tinned	10 units																																																							
	460	20 x 10	1500	CU20X10 041719	tinned	10 units																																																							
			2250	CU20X10-2250 009839	tinned	10 units																																																							
	630	30 x 10	1500	CU30X10 051211	untreatedly	10 units																																																							

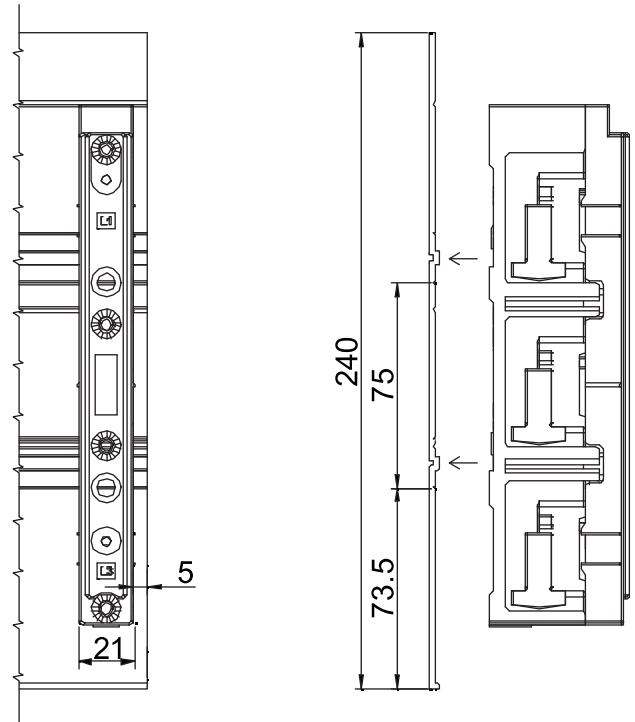
SASY 60i Busbar System

Dimensions

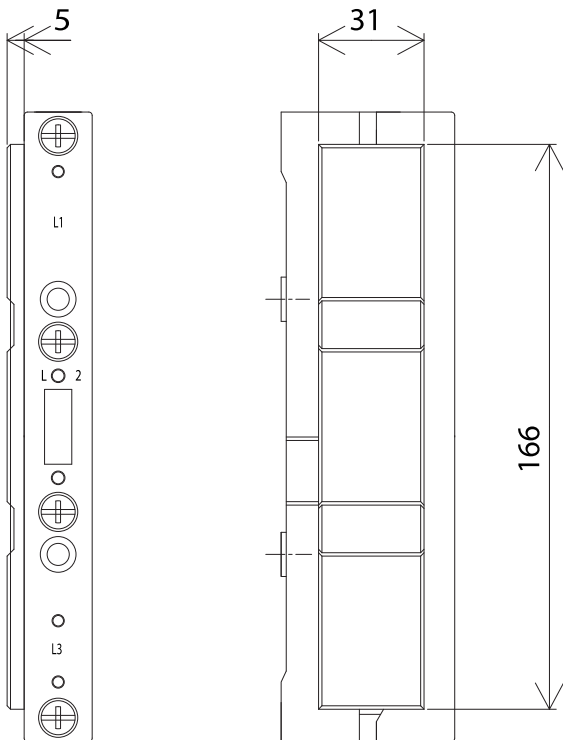
BBS-3/FL



BBS-3/FL-NA



ES-BBS-3/FL



BBS-2/FL

