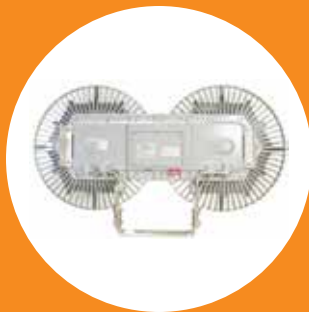


# On when it matters most.

---

Products and solutions that protect your business





## Features & Benefits

- 10 year full performance warranty
- L70 rated for >150,000 hours @ 25°C ambient
- 125 LPW
- Dual Mounting option available
- Significantly reduced glare
- Instant on/off
- Maintenance free
- Mercury free
- No UV or IR
- Resistant to shock and vibration

## Application

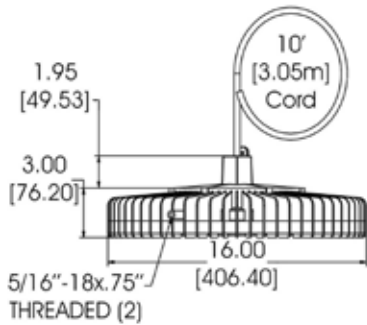
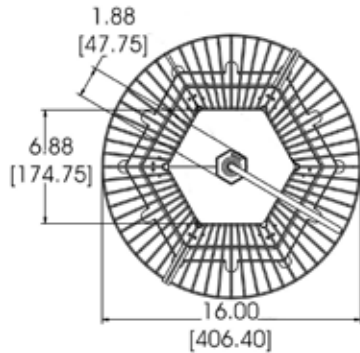
At 125 lumens per Watt, Dialight's new ultra-efficient industrial LED high bay revolutionizes the world of LED lighting and is by far the most innovative LED fixture available today. With a market-leading 10 year full performance warranty, the new 26,500 lumen high bay utilizes cutting-edge optical and electrical design to provide for significantly reduced glare and superior light distribution.

# Vigilant® LED High Bay - UL / CSA

## Standard Models



Patent pending



Dimensions in inches [mm]

### Certifications & Ratings

- UL 1598/A
- CSA 22 #250
- CE
- NEMA 4X
- IP66 / 67

### Mechanical Information:

<b>Fixture weight:</b>	18 lbs (8.16kg)
<b>Shipping weight:</b>	24 lbs (10.8kg)
<b>Mounting:</b>	(1) 3/4" NPT - top (2) 5/16"-18 x .75" UNC - side
<b>Entries:</b>	10' (3.05m) STOOW Power Cord

### Electrical Specifications:

<b>Operating Voltage:</b>	110 – 277V AC: 25,750 & 26,500lm models 100 – 277V AC: 18,000, 14,000 & 11,000lm models
---------------------------	--

<b>Total system power consumption:</b>	See table
<b>Operating Temp:</b>	-40°F to +149°F (-40°C to +65°C)

<b>Harmonics:</b>	IEC 61000-3-2
<b>Noise requirement /EMC:</b>	FCC Title 47, Subpart B, Section 15, class A device. RF Immunity; 10V/m, 80MHz-1GHz

<b>Transient protection:</b>	Protection devices capable of handling up to 6kV. Tested for 6kV/2 ohm combination wave, as per IEEE C62.41, line-line and line-ground
------------------------------	--

<b>THD:</b>	<20%
<b>Power Factor:</b>	> 0.9

### Construction:

<b>Housing:</b>	Copper free aluminum
<b>Finish:</b>	Superior dual coat finish - Sealed polyester topcoat - Chemical-resistant epoxy primer

<b>Lens :</b>	Tempered glass
---------------	----------------

### Photometric Information:

<b>CRI:</b>	75
<b>CCT:</b>	5000K (cool white) 4000K (neutral white)

All values typical unless otherwise stated (tolerance +/- 10%)

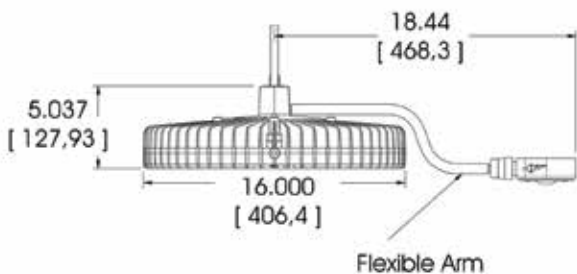
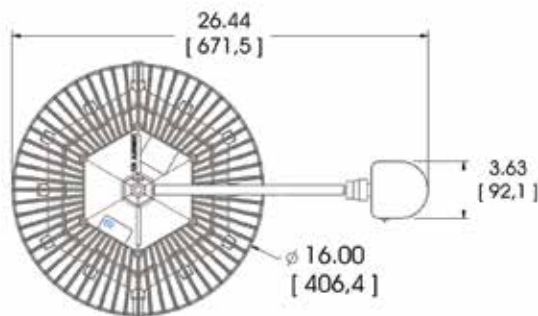
For information on chemical compatibility, please follow this link to reference Dialight's Chemical Compatibility Guide: [www.dialight.com/pubs/MDTFCHEMRFLX001.PDF](http://www.dialight.com/pubs/MDTFCHEMRFLX001.PDF)

# Vigilant® LED High Bay - UL / CSA

## Occupancy Sensor Models



Patent pending



Dimensions in Inches [mm]

### Certifications & Ratings

- IP65

### Features & Benefits

- No additional electrical connections required for installation
- Flexible conduit permitting the positioning of the occupancy sensor for optimal coverage
- Interchangeable sensor lens for high bay, low bay, or aisle application

### Mechanical Information:

<b>Fixture weight:</b>	20 lbs (13.34kg)
<b>Shipping weight:</b>	27 lbs (9.62kg)
<b>Mounting:</b>	(1) 3/4" NPT - top (2) 5/16"-18 x .75" UNC - side
<b>Entries:</b>	10' (3.05m) STOOOW Power Cord

### Sensor:

<b>Sensor Mounting:</b>	Attached to the base of the neck using a semi-rigid flexible conduit
<b>Occupancy Sensor:</b>	Wet location wattstopper
<b>Sensor Lens Options:</b>	30 seconds to 20 minutes
<b>Operating Temperature:</b>	Interchangeable lenses for multiple mounting heights and sensor patterns

### Electrical Specifications for High Bay:

<b>Operating Voltage:</b>	110 – 277V AC: 25,750 & 26,500lm models 100 – 277V AC: 18,000, 14,000 & 11,000lm models
<b>Total system power consumption:</b>	See table
<b>Operating Temp:</b>	-40°F to +149°F (-40°C to +65°C)
<b>Harmonics:</b>	IEC 61000-3-2
<b>Noise requirement /EMC:</b>	FCC Title 47, Subpart B, Section 15, class A device. RF Immunity; 10V/m, 80MHz-1GHz
<b>Transient protection:</b>	Protection devices capable of handling up to 6kV. Tested for 6kV/2 ohm combination wave, as per IEEE C62.41, line-line and line-ground
<b>THD:</b>	<20%
<b>Power Factor:</b>	> 0.9

### Construction:

<b>Housing:</b>	Copper free aluminum
<b>Finish:</b>	Superior dual coat finish - Sealed polyester topcoat - Chemical-resistant epoxy primer
<b>Lens :</b>	Tempered glass

### Photometric Information:

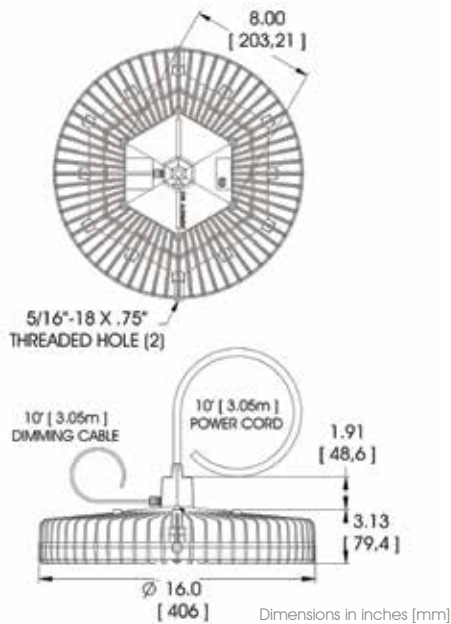
<b>CRI:</b>	75
<b>CCT:</b>	5000K (cool white) 4000K (neutral white)

All values typical unless otherwise stated (tolerance +/- 10%)

For information on chemical compatibility, please follow this link to reference Dialight's Chemical Compatibility Guide: [www.dialight.com/pubs/MDTFCHEMRFLX001.PDF](http://www.dialight.com/pubs/MDTFCHEMRFLX001.PDF)

# Vigilant® LED High Bay - UL / CSA

## Variable Dimming Models



### Features & Benefits

- 10' plenum rated dimming control cable pre-installed
- Dimming cabling independent of fixture wiring
- Multiple high bays can be connected to the same dimmer

### Mechanical Information:

<b>Fixture weight:</b>	20 lbs (13.34kg)
<b>Shipping weight:</b>	27 lbs (9.62kg)
<b>Mounting:</b>	(1) 3/4" NPT - top (2) 5/16"-18 x .75" UNC - side
<b>Entries:</b>	10' (3.05m) STOOOW Power Cord

### Variable Dimming:

<b>Variable Dimming Cable:</b>	Two conductor cable
<b>Power Cable:</b>	Three conductor cable
<b>Dimming Cable Position:</b>	Side of the neck a cable gland
<b>Variable Dimming Control:</b>	0-10V DC
<b>Dimming Range:</b>	10V DC = 100% light output 0V DC = 30% light output

### Electrical Specifications for High Bay:

<b>Operating Voltage:</b>	110 – 277V AC: 25,750 & 26,500lm models 100 – 277V AC: 18,000, 14,000 & 11,000lm models
<b>Total system power consumption:</b>	See table
<b>Operating Temp:</b>	-40°F to +149°F (-40°C to +65°C)
<b>Harmonics:</b>	IEC 61000-3-2
<b>Noise requirement /EMC:</b>	FCC Title 47, Subpart B, Section 15, class A device. RF Immunity; 10V/m, 80MHz-1GHz
<b>Transient protection:</b>	Protection devices capable of handling up to 6kV. Tested for 6kV/2 ohm combination wave, as per IEEE C62.41, line-line and line-ground
<b>THD:</b>	<20%
<b>Power Factor:</b>	> 0.9

### Construction:

<b>Housing:</b>	Copper free aluminum
<b>Finish:</b>	Superior dual coat finish - Sealed polyester topcoat - Chemical-resistant epoxy primer
<b>Lens :</b>	Tempered glass

### Photometric Information:

<b>CRI:</b>	75
<b>CCT:</b>	5000K (cool white) 4000K (neutral white)

All values typical unless otherwise stated (tolerance +/- 10%)

For information on chemical compatibility, please follow this link to reference Dialight's Chemical Compatibility Guide: [www.dialight.com/pubs/MDTFCHEMRFLX001.PDF](http://www.dialight.com/pubs/MDTFCHEMRFLX001.PDF)



# Vigilant® LED High Bay - UL / CSA

## Options and Accessories



**HBXW3-SSL-316**  
**HBXW3-SSL-304**

- Stainless steel bracket



**HBXCAB48**

- 48" long stainless steel safety rope (for use with safety bracket)



**HBXDC**

- 21° slope dust cover

**HBXDC45**

- 45° slope dust cover

**HBXDC60**

- 60° slope dust cover



**FLX1HBXSS**

- 304 stainless steel forward throw bracket

**HBXW3-SSL-316FT**

- 316 Stainless steel forward throw bracket



**HBXTH347480**

- Top hat with 347-480V AC step down transformer (Add 12W to light fixture power consumption)



**HBXH**

- Hook

Note: when hook or loop accessory is used the fixture is rated for dry locations only



**HBXW2**

- Swivel bracket and cable gland

**HBXW3**

- Swivel bracket



**HBXL**

- Loop

Note: when hook or loop accessory is used the fixture is rated for dry locations only



**HBXDUALBRCKT**

- Dual bracket



**HBXCU**

- Ceiling / wall mount



**HBXREF22**

- 22" Acrylic reflector (must be ordered with high bay, not a retrofit option)



**HBXCG**

- Cable gland



**HBXLENGC**

- Clear tempered glass

**HBXLENPC**

- Polycarbonate lens, clear

**HBXLENAC**

- Acrylic lens, clear



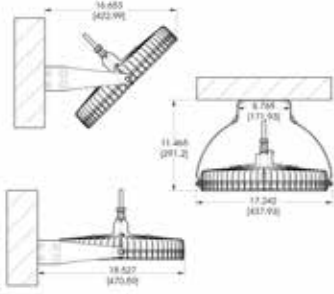
**LBXLENP**

- Polycarbonate dome lens replacement

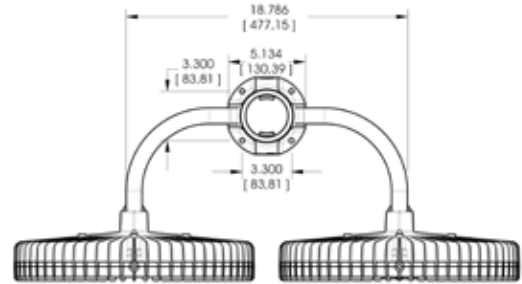
# Vigilant® LED High Bay - UL / CSA

## Options and Accessories Drawings

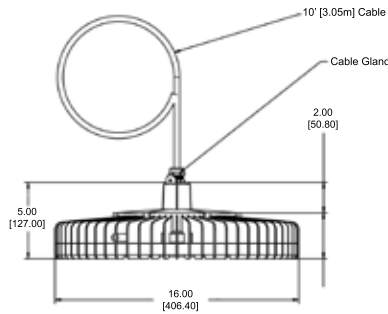
HBXW2 - Swivel Bracket and Cable Gland



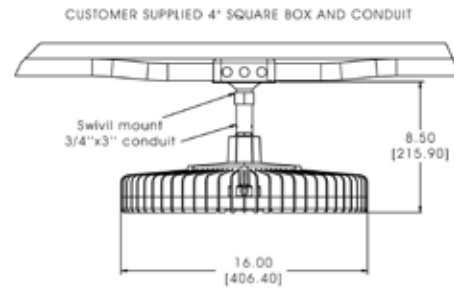
HBXDUALBRCKT - Dual Bracket



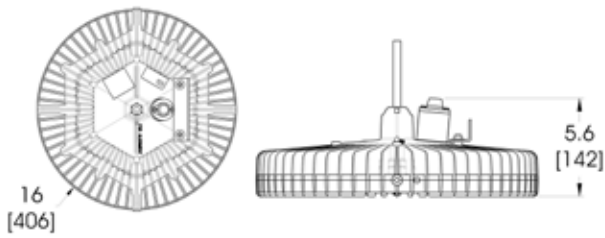
HBXCG - Cable Gland



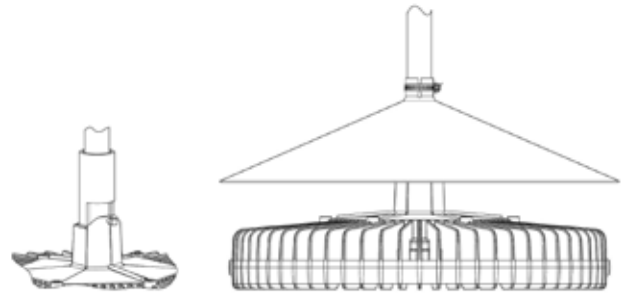
HBXCU - Ceiling Mount



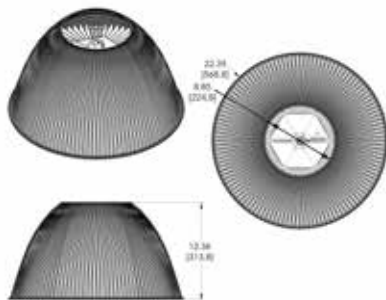
HEGMxxx-SGG - Safety Bracket and Fuse Options



HBXDC - Dust Cover



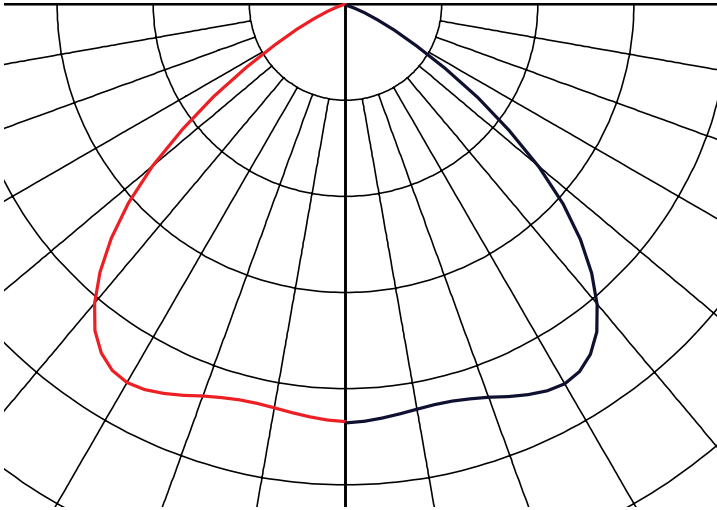
22\" Acrylic Reflector - Consult factory



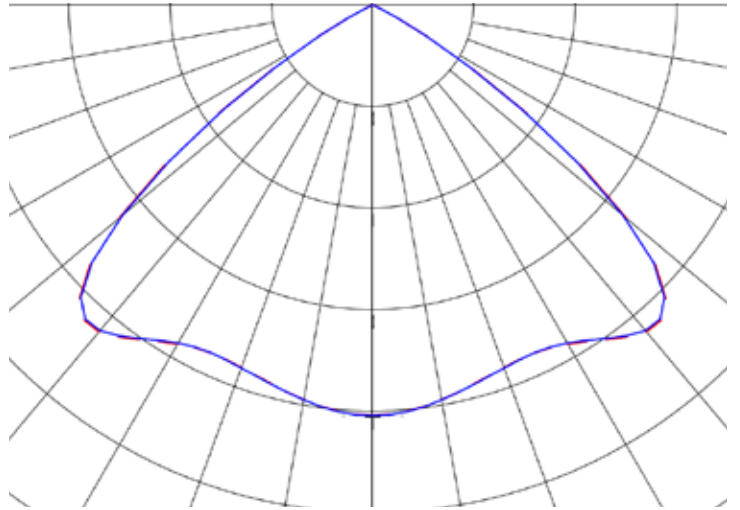
# Vigilant® LED High Bay - UL / CSA

## Light Distribution Pattern

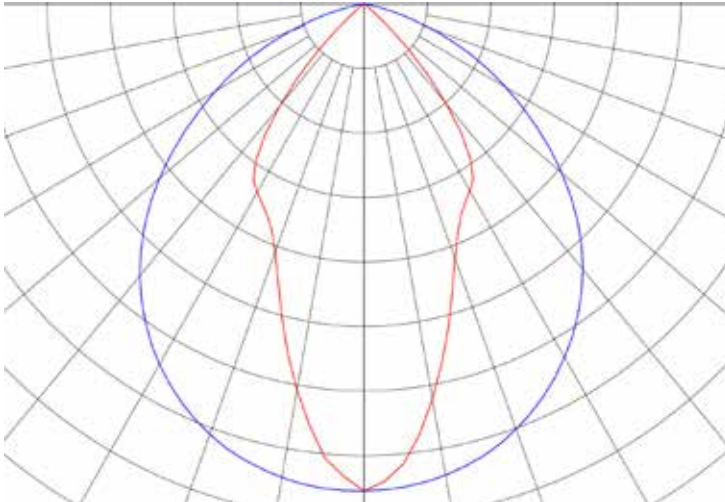
Medium pattern



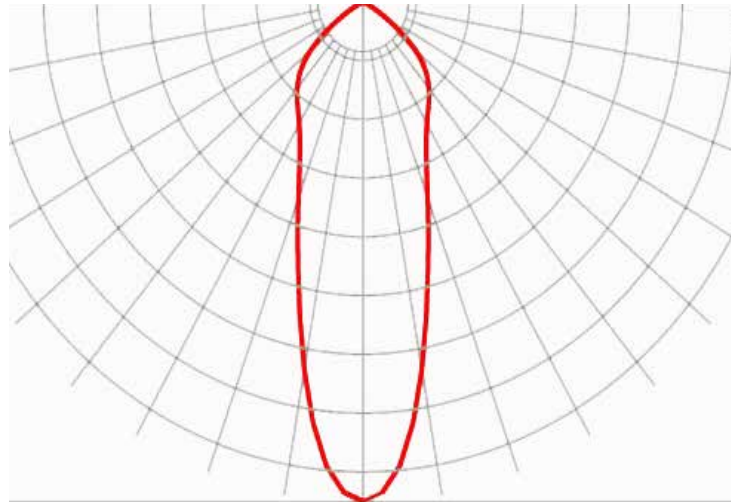
Wide pattern



Aisle pattern



Narrow pattern





# Vigilant® LED High Bay - UL / CSA

## Ordering Information

Part Number	Fixture Lumen	Watt	LPW	Wet Location	Voltage	CCT	Lens	Optical Pattern
<b>Standard Models</b>								
HEGMC4PN-SNG	26,500	212	125	IP66	110 - 277V AC	5000K (cool white)	Tempered glass	Medium
HEGRC4PN-SNG	26,500	212	125	IP66	110 - 277V AC	5000K (cool white)	Tempered glass	Wide
HEGEC4PN-SNG	25,750	204	125	IP66	110 - 277V AC	5000K (cool white)	Tempered glass	Aisle
HEGNC4PN-SNG	26,500	212	125	IP66	110 - 277V AC	5000K (cool white)	Tempered glass	Narrow
HEGMC4KN-SNG	18,000	144	125	IP66	100 - 277V AC	5000K (cool white)	Tempered glass	Medium
HEGRC4KN-SNG	18,000	144	125	IP66	100 - 277V AC	5000K (cool white)	Tempered glass	Wide
HEGEC4KN-SNG	18,000	144	125	IP66	100 - 277V AC	5000K (cool white)	Tempered glass	Aisle
HEGNC4KN-SNG	18,000	144	125	IP66	100 - 277V AC	5000K (cool white)	Tempered glass	Narrow
HEGMC4GN-SNG	14,000	112	125	IP66	100 - 277V AC	5000K (cool white)	Tempered glass	Medium
HEGRC4GN-SNG	14,000	112	125	IP66	100 - 277V AC	5000K (cool white)	Tempered glass	Wide
HEGEC4GN-SNG	14,000	112	125	IP66	100 - 277V AC	5000K (cool white)	Tempered glass	Aisle
HEGNC4GN-SNG	14,000	112	125	IP66	100 - 277V AC	5000K (cool white)	Tempered glass	Narrow
HEGMC4DN-SNG	11,000	88	125	IP66	100 - 277V AC	5000K (cool white)	Tempered glass	Medium
HEGRC4DN-SNG	11,000	88	125	IP66	100 - 277V AC	5000K (cool white)	Tempered glass	Wide
HEGEC4DN-SNG	11,000	88	125	IP66	100 - 277V AC	5000K (cool white)	Tempered glass	Aisle
HEGNC4DN-SNG	11,000	88	125	IP66	100 - 277V AC	5000K (cool white)	Tempered glass	Narrow
<b>Occupancy Sensor Models</b>								
HEGMC1PM-SNG	26,500	212	125	IP65	110 - 277V AC	5000K (cool white)	Tempered glass	Medium
HEGRC1PM-SNG	26,500	212	125	IP65	110 - 277V AC	5000K (cool white)	Tempered glass	Wide
HEGMC1KM-SNG	18,000	144	125	IP65	100 - 277V AC	5000K (cool white)	Tempered glass	Medium
HEGRC1KM-SNG	18,000	144	125	IP65	100 - 277V AC	5000K (cool white)	Tempered glass	Wide
HEGMC1GM-SNG	14,000	112	125	IP65	100 - 277V AC	5000K (cool white)	Tempered glass	Medium
HEGRC1GM-SNG	14,000	112	125	IP65	100 - 277V AC	5000K (cool white)	Tempered glass	Wide
HEGMC1DM-SNG	11,000	88	125	IP65	100 - 277V AC	5000K (cool white)	Tempered glass	Medium
HEGRC1DM-SNG	11,000	88	125	IP65	100 - 277V AC	5000K (cool white)	Tempered glass	Wide
<b>Variable Dimming Models</b>								
HEGMC4PD-SNG	26,500	212	125	IP66	110 - 277V AC	5000K (cool white)	Tempered glass	Medium
HEGRC4PD-SNG	26,500	212	125	IP66	110 - 277V AC	5000K (cool white)	Tempered glass	Wide
HEGMC4KD-SNG	18,000	144	125	IP66	100 - 277V AC	5000K (cool white)	Tempered glass	Medium
HEGRC4KD-SNG	18,000	144	125	IP66	100 - 277V AC	5000K (cool white)	Tempered glass	Wide
HEGMC4GD-SNG	14,000	112	125	IP66	100 - 277V AC	5000K (cool white)	Tempered glass	Medium
HEGRC4GD-SNG	14,000	112	125	IP66	100 - 277V AC	5000K (cool white)	Tempered glass	Wide
HEGMC4DD-SNG	11,000	88	125	IP66	100 - 277V AC	5000K (cool white)	Tempered glass	Medium
HEGRC4DD-SNG	11,000	88	125	IP66	100 - 277V AC	5000K (cool white)	Tempered glass	Wide

All values typical unless otherwise stated, Lumen values are typical (tolerance +/- 10%).

All models shown in the table are Cool White, for models in Neutral White, 4000K CCT, replace the 5th character with an **N**. Ex: HEGMC4PN-SNG becomes HEGMC4PN-SNG. Deduct 5% from lumen values when specifying neutral.

For models needing a Safety Bracket, replace the 10th character with a **S**. Example HEGMC4PN-SNG becomes HEGMC4PN-SNG.

All models show in the above table come with an internal fuse. For models needing an external fuse, replace the 10th character with an **E**. Ex: HEGMC4PN-SNG becomes HEGMC4PN-SNG.

(Fixture will be listed damp location only with internal fuse).

For models needing both Safety Bracket & Fuse, replace the 10th character with an **SE**. Ex: HEGMC4PN-SNG becomes HEGMC4PN-SNG.

Part numbers with occupancy sensor that will be installed with Hook or Loop (HBXH or HBXL) accessories will require a counter balance installed prior to shipment. Replace the 10th character with an **C**. Ex: HEGMC4PN-SNG becomes HEGMC4PN-SNG.

Part numbers listed in the tables above come with a glass lens. For models needing a polycarbonate dome lens, replace the 3rd character with a **L**. Ex: HEGMC4PN-SNG becomes HELMC4PN-SNG. For models needing a flat polycarbonate lens, replace the 3rd character with a **2**. Ex: HEGMC4PN-SNG becomes HE2MC4PN-SNG. For models needing a flat acrylic lens, replace the 3rd character with a **J**. Ex: HEGMC4PN-SNG becomes HEJMC4PN-SNG. Dome & acrylic lens not available on power wash models, please use glass or flat polycarbonate.

# Vigilant® LED High Bay - UL / CSA

## Ordering Information

Part Number	Fixture Lumen	Watt	LPW	Wet Location	Voltage	CCT	Lens	Optical Pattern
<b>Powerwash Models</b>								
HEGMC4PN-SPG	26,500	212	125	1000 PSI	110 - 277V AC	5000K (cool white)	Tempered glass	Medium
HEGRC4PN-SPG	26,500	212	125	1000 PSI	110 - 277V AC	5000K (cool white)	Tempered glass	Wide
HEGMC4KN-SPG	18,000	144	125	1000 PSI	100 - 277V AC	5000K (cool white)	Tempered glass	Medium
HEGRC4KN-SPG	18,000	144	125	1000 PSI	100 - 277V AC	5000K (cool white)	Tempered glass	Wide
HEGMC4GN-SPG	14,000	112	125	1000 PSI	100 - 277V AC	5000K (cool white)	Tempered glass	Medium
HEGRC4GN-SPG	14,000	112	125	1000 PSI	100 - 277V AC	5000K (cool white)	Tempered glass	Wide
HEGMC4DN-SPG	11,000	88	125	1000 PSI	100 - 277V AC	5000K (cool white)	Tempered glass	Medium
HEGRC4DN-SPG	11,000	88	125	1000 PSI	100 - 277V AC	5000K (cool white)	Tempered glass	Wide

All values typical unless otherwise stated, Lumen values are typical (tolerance +/- 10%).

All models shown in the table are Cool White, for models in Neutral White, 4000K CCT, replace the 5th character with an **N**. Ex: HEGMC4PN-SNG becomes HEGMN4PN-SNG. Deduct 5% from lumen values when specifying neutral.

For models needing a Safety Bracket, replace the 10th character with a **S**. Example HEGMC4PN-SNG becomes HEGMC4PN-SSG.

All models shown in the above table come with an internal fuse. For models needing an external fuse, replace the 10th character with an **E**. Ex: HEGMC4PN-SNG becomes HEGMC4PN-SEG. (Fixture will be listed damp location only with internal fuse).

For models needing both Safety Bracket & Fuse, replace the 10th character with an **SE**. Ex: HEGMC4PN-SNG becomes HEGMC4PN-SEEG.

Part numbers with occupancy sensor that will be installed with Hook or Loop (HBXH or HBXL) accessories will require a counter balance installed prior to shipment. Replace the 10th character with an **C**. Ex: HEGMC4PN-SNG becomes HEGMC4PN-SCG.

Part numbers listed in the tables above come with a glass lens. For models needing a polycarbonate dome lens, replace the 3rd character with a **L**. Ex: HEGMC4PN-SNG becomes HELMC4PN-SNG. For models needing a flat acrylic lens, replace the 3rd character with a **I**. Ex: HEGMC4PN-SNG becomes HEIMC4PN-SNG. Dome & acrylic lens not available on power wash models, please use glass or flat polycarbonate.