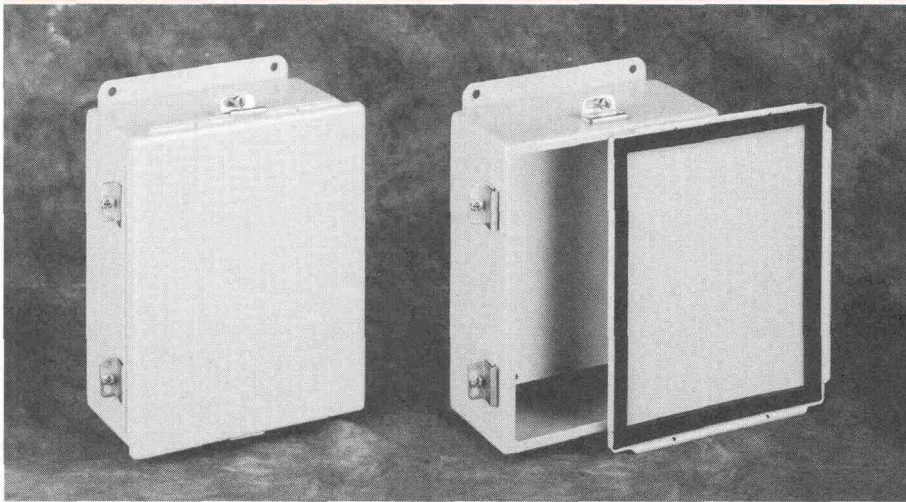


# Clamp Cover Type 4 "NF" Boxes



## Accessories

See General Accessories index

- Corrosion Inhibitors
- DIN Rail
- DIN Rail Brackets
- Fast Operating Junction Clamp Panels (See table)
- Swing-Out Panel Kit
- Terminal Kit Assembly
- Touch-Up Paint (A-TPPY61)
- Window Kit
- Wiring Duct

## Modification Services™ Program

You can customize this product to your unique requirements by specifying from these options:

- Over 100 standard finish colors and textures
- Holes and cutouts in body, doors, subpanels
- Tapped holes, fasteners in enclosure or subpanel
- Mounting
- Doors
- Windows
- Standard accessories

For details, see Modification Services at [hoffmanonline.com](http://hoffmanonline.com).

To order, contact your local Hoffman sales representative.

## Application

Intended for use as electrical junction boxes, terminal wiring boxes, and instrument housings. Suitable for indoor or outdoor use, wherever protection from dust, dirt, oil, or hose directed water is essential.

## Construction

- 16 gauge or 14 gauge steel
- Seams continuously welded and ground smooth, no holes or knockouts
- Stainless steel clamps on four sides of cover assure watertight seal
- Oil-resistant gasket and adhesive
- Weldnuts for mounting optional panels and terminal kits in size 6.00 x 4.00 (152 x 102) and larger
- Grounding stud on door
- External mounting feet

## Finish

ANSI 61 gray polyester powder coating inside and out over phosphatized surfaces. Optional panels are white. An additional protective finish may be necessary if the enclosure is located in a corrosive outdoor setting. Hoffman can supply custom finishes based on environmental requirements. Consult factory for details.

## Industry Standards

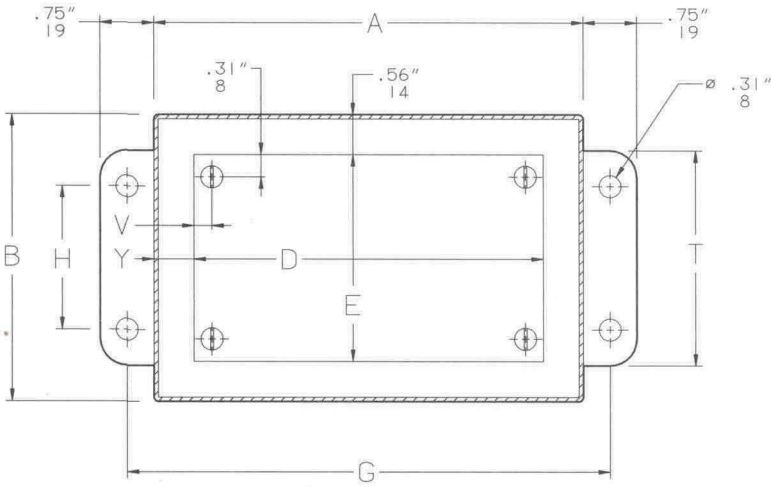
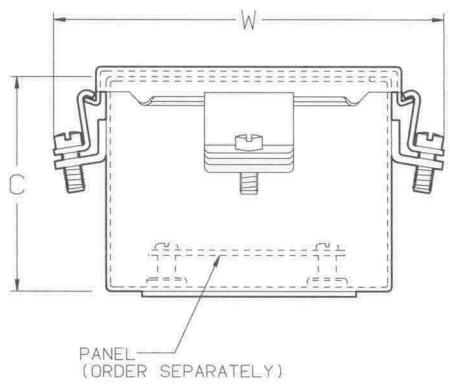
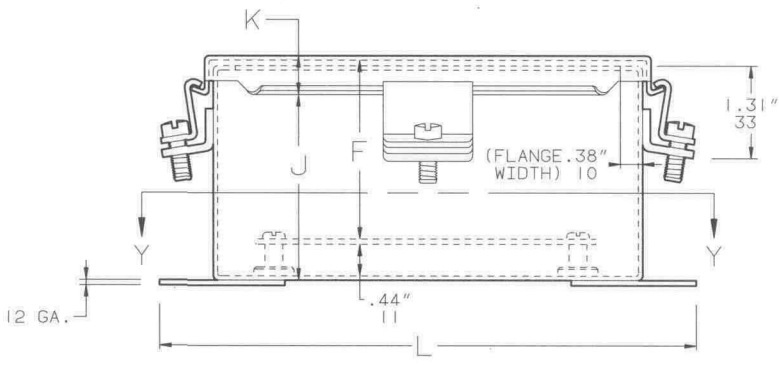
UL 50, File No. E27567, Type 4 (See table), Type 12, and Type 13  
 UL 508, File No. E61997, Type 4 (See table), Type 12, and Type 13  
 NEMA/EEMAC Type 4, Type 12, and Type 13  
 CSA, File No. LL42184, Type 4 and Type 12  
 IEC 60529, IP66

## Standard Sizes Continuous Hinge Type 4 "NF" Boxes

Box Catalog Number	Gauge	Box Size A x B x C	* Panel Catalog Number	Panel Size D x E	Mounting G x H	Overall L x W	F	J	K	M	N	T	V	Y
■ A-404NF	16	4.00 x 4.00 x 3.00 (102 x 102 x 76)	No Panel	No Panel	4.75 x 2.00 (121 x 51)	5.50 x 5.38 (140 x 137)	—	2.62 (66)	0.54 (14)	1.38 (35)	1.38 (35)	3.00 (76)	—	—
■ A-604NF	16	6.00 x 4.00 x 3.00 (152 x 102 x 76)	A-6P4	4.88 x 2.88 (124 x 73)	6.75 x 2.00 (171 x 51)	7.50 x 5.38 (191 x 137)	2.53 (64)	2.62 (66)	0.54 (14)	1.38 (35)	2.38 (60)	3.00 (76)	0.31 (8)	0.56 (14)
□ A-806NF	14	8.00 x 6.00 x 3.50 (203 x 152 x 89)	A-8P6	6.75 x 4.88 (171 x 124)	8.75 x 4.00 (222 x 102)	9.50 x 7.38 (241 x 187)	3.03 (77)	3.12 (79)	0.56 (14)	2.38 (60)	3.38 (86)	5.00 (127)	0.25 (6)	0.62 (16)
□ A-606NF	16	6.00 x 6.00 x 4.00 (152 x 152 x 102)	A-6P6	4.88 x 4.88 (124 x 124)	6.75 x 4.00 (171 x 102)	7.50 x 7.38 (191 x 187)	3.53 (90)	3.62 (92)	0.54 (14)	2.38 (60)	2.38 (60)	5.00 (127)	0.31 (8)	0.56 (14)
□ A-1008NF	14	10.00 x 8.00 x 4.00 (254 x 203 x 102)	A-10P8	8.75 x 6.88 (222 x 175)	10.75 x 6.00 (273 x 152)	11.50 x 9.38 (292 x 238)	3.53 (90)	3.62 (92)	0.56 (14)	3.38 (86)	1.50 (38)	7.00 (178)	0.25 (6)	0.62 (16)
□ A-1210NF	14	12.00 x 10.00 x 5.00 (305 x 254 x 127)	A-12P10	10.75 x 8.88 (273 x 225)	12.75 x 8.00 (324 x 203)	13.50 x 11.38 (343 x 289)	4.53 (115)	4.62 (117)	0.56 (14)	2.00 (51)	3.00 (76)	9.00 (229)	0.25 (6)	0.62 (16)
□ A-1412NF	14	14.00 x 12.00 x 6.00 (356 x 305 x 152)	A-14P12	12.75 x 10.88 (324 x 276)	14.75 x 10.00 (375 x 254)	15.50 x 13.38 (394 x 340)	5.53 (140)	5.62 (143)	0.56 (14)	2.00 (51)	3.00 (76)	11.00 (279)	0.25 (6)	0.62 (16)
□ A-1614NF	14	16.00 x 14.00 x 6.00 (406 x 356 x 152)	A-16P14	14.75 x 12.88 (375 x 327)	16.75 x 12.00 (425 x 305)	17.50 x 15.38 (445 x 391)	5.53 (140)	5.62 (143)	0.56 (14)	3.50 (89)	1.50 (38)	13.00 (330)	0.25 (6)	0.62 (16)

\* Panels must be ordered separately. Optional stainless steel, zinc-plated, composite and aluminum panels are also available for most sizes. See General Accessories.

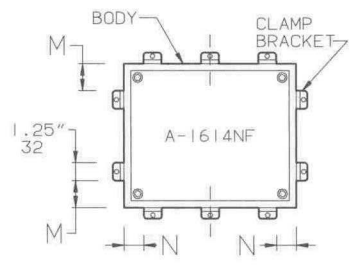
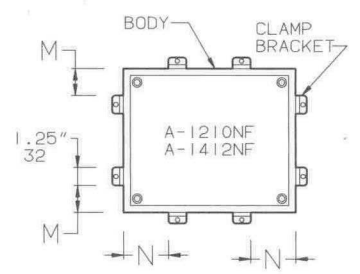
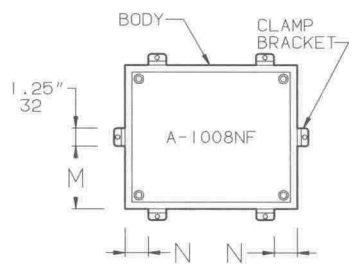
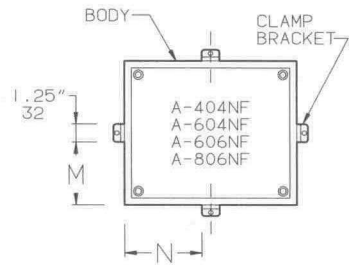
- UL 50
- UL 508



SECTION Y-Y

NOTE: 1. Panels are 14 gauge steel.  
2. Panel screws are #10-32 pan head.

**Clamp Bracket Locations**



Inch  
Millimeter

C2479