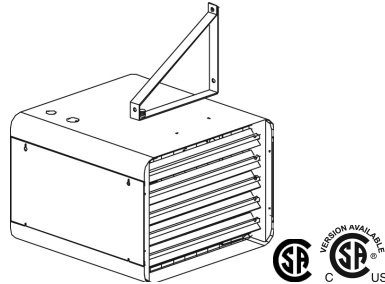
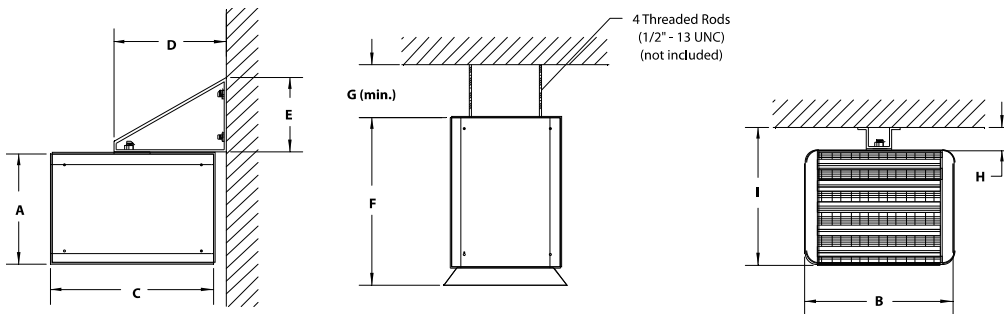


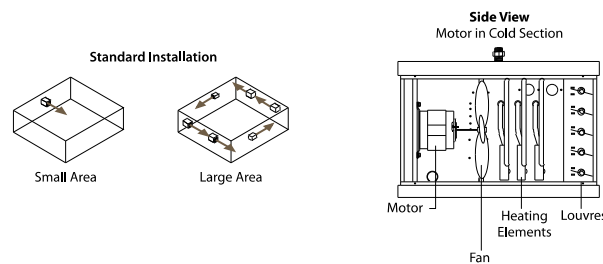
Series

OAS**Suspended Unit Heater****Color
Finish
Voltage****Construction****Fan****Heating element****Control****Installation****Warranty
Applications****Features**

- Standard: almond.
 - Standard: epoxy/polyester powder paint.
 - 208V, 240V, 277V, 347V, 480V, 600V, 1 or 3-phase.
 - Some units may be field converted from 3 to 1-phase.
 - 18 and 20-gauge steel.
 - Adjustable louvres to direct air flow.
 - High-limit temperature control with automatic reset.
 - Motor mounted in cold compartment.
 - Thermally-protected motor.
 - Totally enclosed and factory-lubricated ball bearing motor (except for 15 to 25kW at 208V/240V).
 - 58 dBA fan (2 to 10kW), 67 dBA fan (15 to 30kW) and 77 dBA fan (40 to 60kW).
 - Fan delay purges heater of residual heat.
- (Any remote thermostat or relay must be connected to the heater control terminal block.)*
- Durable tubular heating elements; stainless steel (2 to 10kW); finned (15 to 60kW).
 - Concentric disposition of heating elements.
 - Factory sealed element upon request.
 - All models have a factory-installed contactor.
 - 240V/208V control circuit standard (with transformer if necessary).
 - 24V relay, with or without transformer available.
 - Built-in thermostat available.
 - 120V control circuit available.
- Ouellet highly recommends to use a wall thermostat for greater comfort.*
- Horizontal wall or ceiling mounting using one of two supplied brackets which allow 360° rotation*.
 - Vertical mounting using 4 threaded rods 1/2 in. X 13 UNC (not included) (except option -MD).
 - Diffuser cones available (except option -MD).
 - Large and easily accessible control compartment.
 - Maximum recommended height (horizontal): 2 to 10kW: 8 ft. (2.4 m); 15 to 30kW: 10 ft. (3 m); 40 to 60kW: 15 ft. (4.5 m).
 - Protective screen allows lower mounting height (except 40 to 60kW).
 - Minimum height of 8 ft. (2.4 m) for 40 to 60kW heaters.
 - 30 °C (85 °F) maximum operating ambient temperature.
 - **1-year warranty against defects.**
 - Commercial hall, warehouse, stairwell, factory.
 - *Horizontal mounting only for 40kW, 50kW and 60kW secured by 4 hooks (ceiling only).*



	2 to 10kW		15 to 30kW		40 to 60kW	
	mm	in.	mm	in.	mm	in.
A	305	12	444	17 1/2	585	23
B	419	16 1/2	556	21 7/8	641	25 1/4
C	432	17	572	22 1/2	870	34 1/4
D	357	14 1/16	470	18 1/2	-	-
E	290	11 7/16	407	16	-	-
F	490	19 5/16	630	24 13/16	924	36 3/8
G	305	12	305	12	305	12
H	123	4 7/8	148	5 13/16	305	12
I	428	16 7/8	592	23 5/16	890	35
Weight	kg	lb	kg	lb	kg	lb
	20	45	39	85	68	150



Models

Product #	Qty	Volts	Phase	kW (BTU/hr)	cfm	Temperature Rise		Motor		
						°C	°F	HP	rpm	Volts
OAS02008		208	1	2.0 (6824)	510	7	13	1/30	1550	240/208
OAS02038		208	3/1 ¹	2.0 (6824)	510	7	13	1/30	1550	240/208
OAS03008		208	1	3.0 (10236)	510	10	18	1/30	1550	240/208
OAS03038		208	3/1 ¹	3.0 (10236)	510	10	18	1/30	1550	240/208
OAS04008		208	1	4.0 (13648)	510	14	25	1/30	1550	240/208
OAS04038		208	3/1 ¹	4.0 (13648)	510	14	25	1/30	1550	240/208
OAS05008		208	1	5.0 (17060)	700	13	23	1/30	1550	240/208
OAS05038		208	3/1 ¹	5.0 (17060)	700	13	23	1/30	1550	240/208
OAS07538		208	3/1 ¹	7.5 (25590)	700	19	34	1/30	1550	240/208
OAS10008		208	1	10.0 (34120)	700	25	45	1/30	1550	240/208
OAS10038		208	3	10.0 (34120)	700	25	45	1/30	1550	240/208
OAS15038		208	3/1 ¹	15.0 (51180)	1300	20	36	1/8	1550	240/208
OAS20038		208	3/1 ¹	20.0 (68240)	1300	27	49	1/8	1550	240/208
OAS25038		208	3/1 ¹	25.0 (85300)	1300	34	61	1/8	1550	240/208
OAS02000		240	1	2.0 (6824)	510	7	13	1/30	1550	240/208
OAS03000		240	1	3.0 (10236)	510	10	18	1/30	1550	240/208
OAS04000		240	1	4.0 (13648)	510	14	25	1/30	1550	240/208
OAS05000		240	1	5.0 (17060)	700	13	23	1/30	1550	240/208
OAS07500		240	1	7.5 (25590)	700	19	34	1/30	1550	240/208
OAS10000		240	1	10.0 (34120)	700	25	45	1/30	1550	240/208
OAS15000		240	1	15.0 (51180)	1300	20	36	1/8	1550	240/208
OAS20000		240	1	20.0 (68240)	1300	27	49	1/8	1550	240/208
OAS25000		240	1	25.0 (85300)	1300	34	61	1/8	1550	240/208
OAS02007		347	1	2.0 (6824)	510	7	13	1/30	1550	240/208
OAS03007		347	1	3.0 (10236)	510	10	18	1/30	1550	240/208
OAS04007		347	1	4.0 (13648)	510	14	25	1/30	1550	240/208
OAS05007		347	1	5.0 (17060)	700	13	23	1/30	1550	240/208
OAS07507		347	1	7.5 (25590)	700	19	34	1/30	1550	240/208
OAS02034		480	3	2.0 (6824)	510	7	13	1/30	1550	240/208
OAS03034		480	3	3.0 (10236)	510	10	18	1/30	1550	240/208
OAS04034		480	3	4.0 (13648)	510	14	25	1/30	1550	240/208

OAS05034	480	3	5.0 (17060)	700	13	23	1/30	1550	240/208
OAS07534	480	3	7.5 (25590)	700	19	34	1/30	1550	240/208
OAS10034	480	3	10.0 (34120)	700	25	45	1/30	1550	240/208
OAS15034	480	3	15.0 (51180)	1400	19	34	1/3	1725	480 (1 ph)
OAS20034	480	3	20.0 (68240)	1400	25	45	1/3	1725	480 (1 ph)
OAS25034	480	3	25.0 (85300)	1400	31	56	1/3	1725	480 (1 ph)
OAS30034	480	3	30.0 (102360)	1400	38	68	1/3	1725	480 (1 ph)
OAS40034	480	3	40.0 (136480)	2000	35	63	3/4	1140	480 (3 ph)
OAS50034	480	3	50.0 (170600)	2000	44	79	3/4	1140	480 (3 ph)
OAS60034	480	3	60.0 (204720)	2000	53	95	3/4	1140	480 (3 ph)
OAS02006	600	1	2.0 (6824)	510	7	13	1/30	1550	240/208
OAS02036	600	3	2.0 (6824)	510	7	13	1/30	1550	240/208
OAS03006	600	1	3.0 (10236)	510	10	18	1/30	1550	240/208
OAS03036	600	3	3.0 (10236)	510	10	18	1/30	1550	240/208
OAS04006	600	1	4.0 (13648)	510	14	25	1/30	1550	240/208
OAS04036	600	3/1 ¹	4.0 (13648)	510	14	25	1/30	1550	240/208
OAS05006	600	1	5.0 (17060)	700	13	23	1/30	1550	240/208
OAS05036	600	3/1 ¹	5.0 (17060)	700	13	23	1/30	1550	240/208
OAS07536	600	3/1 ¹	7.5 (25590)	700	19	34	1/30	1550	240/208
OAS10036	600	3/1 ¹	10.0 (34120)	700	25	45	1/30	1550	240/208
OAS15036	600	3/1 ¹	15.0 (51180)	1400	19	34	1/3	1725	600 (1 ph)
OAS20036	600	3/1 ¹	20.0 (68240)	1400	25	45	1/3	1725	600 (1 ph)
OAS25036	600	3/1 ¹	25.0 (85300)	1400	31	56	1/3	1725	600 (1 ph)
OAS30036	600	3	30.0 (102360)	1400	38	68	1/3	1725	600 (1 ph)
OAS40036 ²	600	3	40.0 (136480)	2000	35	63	3/4	1140	600 (3 ph)
OAS50036	600	3	50.0 (170600)	2000	44	79	3/4	1140	600 (3 ph)
OAS60036	600	3	60.0 (204720)	2000	53	95	3/4	1140	600 (3 ph)

Options

Product #	Description	Factory Installed	Kit	Qty
OAS-120	120V control circuit	✓	-	
OAS-3P	Triple-pole contactor	✓	-	
OAS-CD1	Diffuser cone, 2 to 10kW units	-	✓	
OAS-CD2	Diffuser cone, 15 to 30kW units	-	✓	
OAS-CD3	Diffuser cone, 40 to 60kW units	-	✓	
OAS-ES ³	Factory installed element	✓	-	
OAS-CV-277	Summer fan switch, with motor 240V and 277V	✓	-	
OAS-CV-600	Summer fan switch, with motor 480V and 600V	✓	-	
OAS-DIS40	Disconnect switch, 40A	✓	-	
OAS-DIS80	Disconnect switch, 80A	✓	-	
OAS-DIS100	Disconnect switch, 100A	✓	-	
OAS-MD	Mine duty	✓	-	
OAS-R	24V relay, without transformer	✓	✓	
OAS-R/CV-240	Summer fan relay 240V, remote control (switch not included)	✓	-	
OAS-RT	24V relay, with transformer	✓	✓	
OAS-T	Thermostat	✓	✓	

¹ Models with the indication "3/1" can be field converted from 3 to 1-phase.

² If the control option "Disconnect switch" is required, you must order OAS-DIS80.

³ The option "sealed element" increases the reliability of these in humid environments. It does not completely eliminate the leakage currents of metal sheathed heating elements.

Standard color is almond.

277V available upon request.

Others

Type	Quantity	Model et description Complementary informations	Volts	Phase	Watts	Length mm/in.	Informations Color/installation

Specifications may change without prior notice

Project:	Approval Information
Consultant Engineer:	
Electrician Contractor:	
Distributor:	
Date:	
Contact in Ouellet:	
Comments:	