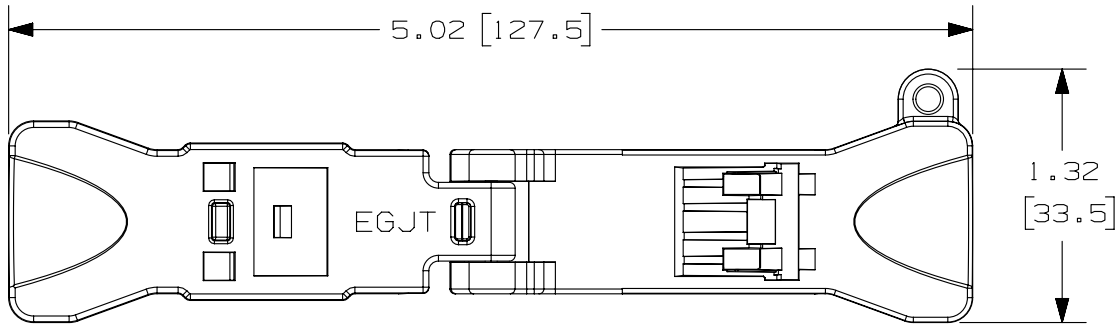
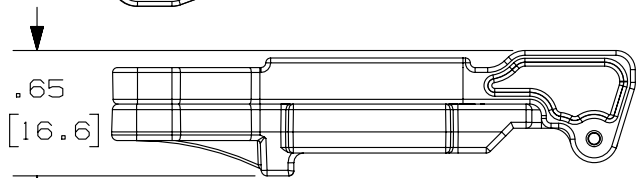
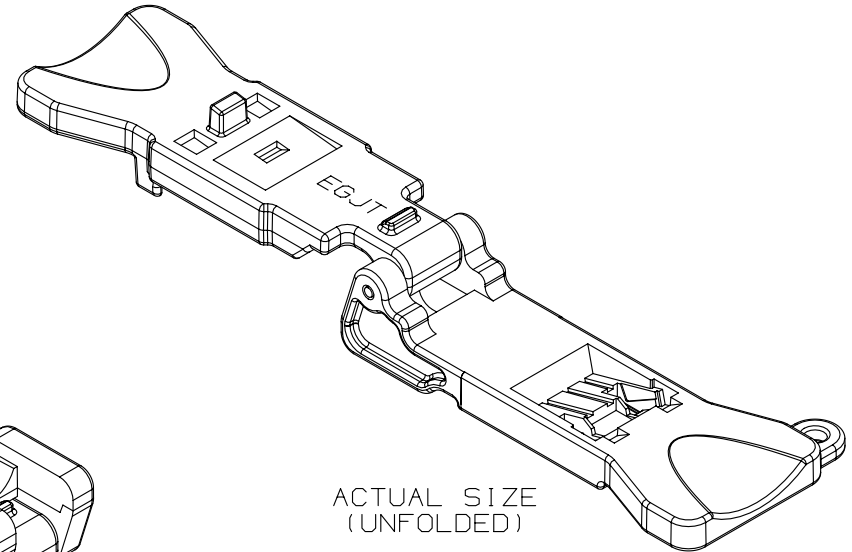
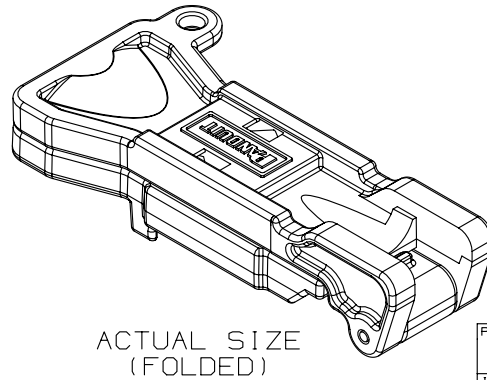
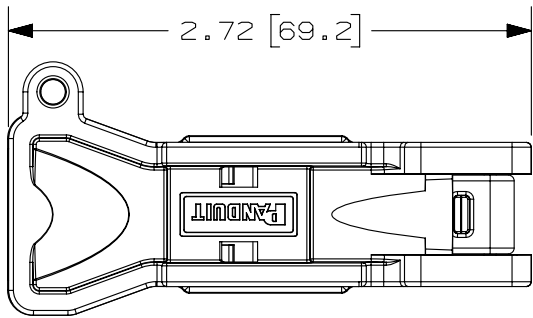
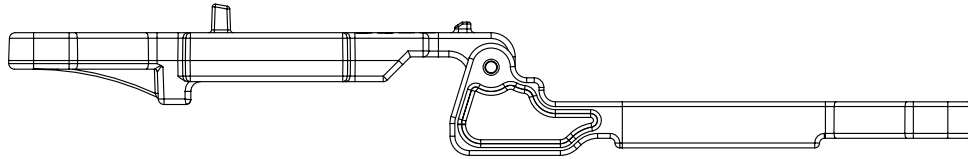


THIS COPY IS PROVIDED ON A RESTRICTED BASIS AND IS NOT TO BE USED IN ANY WAY DETRIMENTAL TO THE INTERESTS OF PANDUIT CORP.



PANDUIT P/N	WEIGHT
EGJT	.29 LB/10 PCS (131.6 g/10 PCS)

- NOTES:
1. TG JACK MODULE TERMINATION TOOL
 2. TERMINATES ALL CJ**TG** JACK MODULES
 3. DIMENSIONS IN BRACKETS ARE IN METRIC.
 4. MATERIAL: GLASS-FILLED NYLON



PART NUMBER	EGJT	PRODUCT SPEC/PKG SPEC	PS-NS-789
I.I. NUMBER	NS-1327	WORK INSTRUCTION	N/A

TITLE	
TG TERMINATION TOOL	
CUSTOMER DRAWING	
ITEM REVISION NAME	M01874AP/11

DATASET FILE NAME	M01874AP_DC53/11A
-------------------	-------------------

UNLESS OTHERWISE SPECIFIED, DIMENSIONAL TOLERANCES ARE: IN [mm]	REVIEW DRAWING NUMBERS:
.x ± .1 [2.54] .xxx ± .005 [.127]	01874-50, 01874-51, 01874-52, 02436-04
.xx ± .01 [.25] ANGLES ± 5 °	

DRAWING NUMBER:	01874-53
-----------------	----------

DRAWN BY	DATE	CHK	SCALE	SHT 1 OF 1	SIZE
LZ	10-14-04	PBD	FULL		A

REV	DATE	BY	CHK	APR	DESCRIPTION	ECN
8	5-23-13	BJN	JAV	EJH	UPDATED REVISED & REDRAWN PREVIOUS REVS REMVD FOR CLARITY	01874-53

D10100DA/14

2

1

2

1