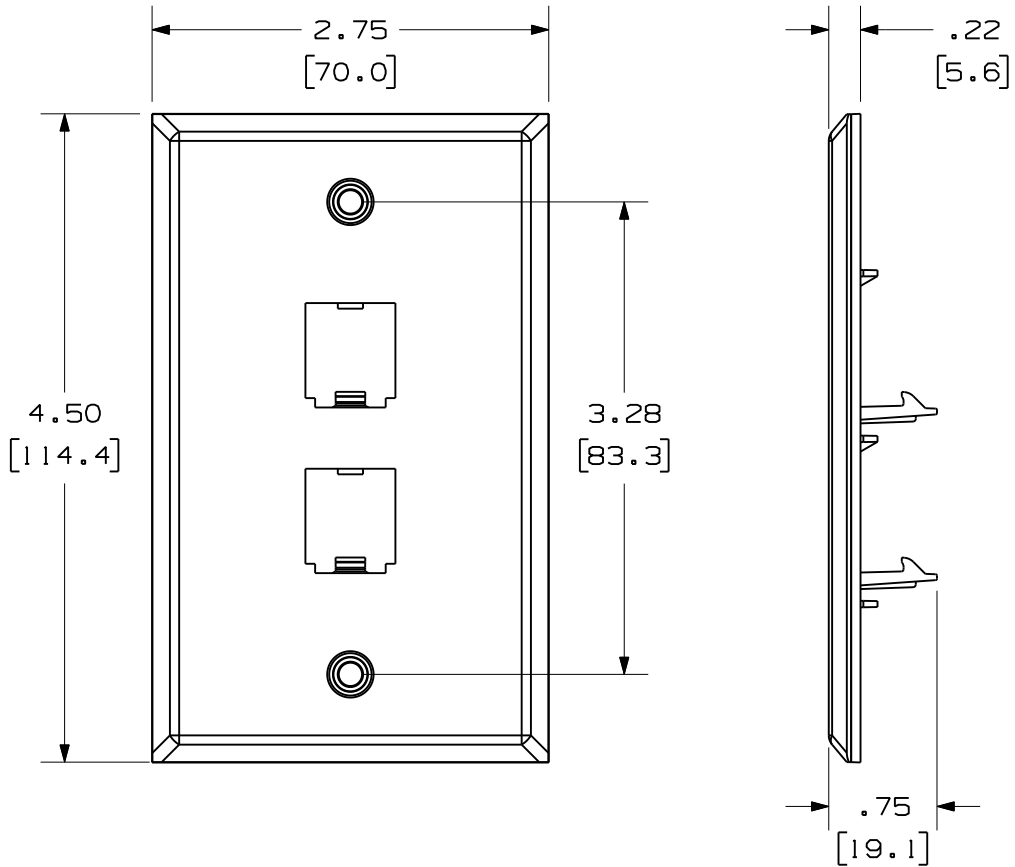


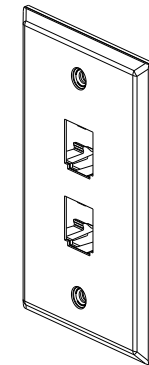
THIS COPY IS PROVIDED ON A RESTRICTED BASIS AND IS NOT TO BE USED IN ANY WAY DETRIMENTAL TO THE INTERESTS OF PANDUIT CORP.

PANDUIT P/N	WEIGHT
CFP2SY	1.51 LB/10 PCS (686 g/10 PCS)



NOTES:

1. SEE CURRENT CATALOG FOR ADDITIONAL PART NUMBER SUFFIXES TO INDICATE COLOR AND OR PACKAGE QUANTITY.
2. SEE CATALOG FOR COMPLETE LIST OF PARTS APPLICABLE FOR USE WITH THIS PART.
3. DIMENSIONS IN PARENTHESES ARE IN METRIC.
4. CFP2SY KIT CONTAINS:
1- FACEPLATE
2- #6-32 X 1" MOUNTING SCREW



MODEL FILENAME	M02418AC/01	SIZE A
DRAWING FILENAME	M02479FC_DC135/01A	

MINI-COM 2 POSITION STAINLESS STEEL FACEPLATE CUSTOMER DRAWING



I.I. NUMBER	N/A
PRODUCT SPEC/ PKG SPEC	N/A
ASSY METHOD/ TEST METHOD	N/A
SCALE	NONE
PART NO.	CFP2SY
DRAWING NO.	02479-135

THIRD ANGLE PROJECTION

ALL DIMENSIONS ARE GIVEN IN INCHES, UNLESS OTHERWISE SPECIFIED.

DIMENSIONAL TOLERANCES ARE:
 (.X) ± .03
 (.XX) ± .03(.8)
 (.XXX) ± .01(.3)
 ANGLES ± 1°

DRAWN BY: JsP
 DATE: 4-26-06
 CHK'D: MJD

REVIEW DRAWING NUMBERS

MAT'L: FACEPLATE- 304 STAINLESS STEEL
 BACKING- ABS

REV	DATE	BY	CHK	DESCRIPTION	ECN	R	CUST	SUP	OTH
I	1-25-11	BJN		A. FACEPLATE MATERIAL WAS 430 S.S.	02479-135				
R	4-26-06	JsP	MJD	RELEASED TO PRODUCTION	02479-135				