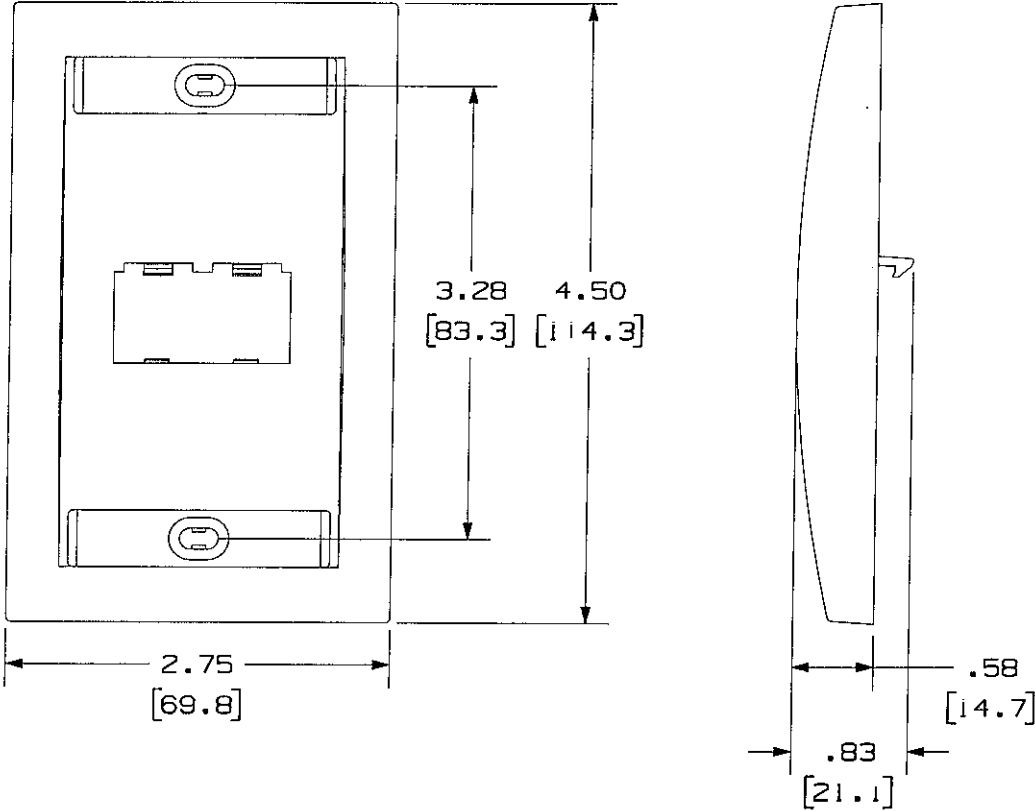


THIS COPY IS PROVIDED ON A RESTRICTED BASIS AND IS NOT TO BE USED IN ANY WAY DETRIMENTAL TO THE INTERESTS OF PANDUIT CORP.

PANDUIT P/N	WEIGHT
CFPE2**Y	.72 LB/10 PCS (326.6 g/10 PCS)



- NOTES:
- SEE CURRENT CATALOG FOR ADDITIONAL PART NUMBER SUFFIXES TO INDICATE COLOR AND OR PACKAGE QUANTITY.
 - SEE CATALOG FOR COMPLETE LIST OF PARTS APPLICABLE FOR USE WITH THIS PART.
 - DIMENSIONS IN [] ARE IN METRIC.
 - PART INCLUDES:
 - 1- FACEPLATE
 - 2- LABEL
 - 2- LABEL COVER
 - 2- MOUNTING SCREW

NETWORK SYSTEMS
MAY 25 2006
ENGINEERING DEPT

DRAWING FILENAME MO2479EK_DC117_00A.PRT		SIZE A									
MINI-COM 2 POSITION EXECUTIVE SERIES FACEPLATE CUSTOMER DRAWING											
PANDUIT TM CORP. TINLEY PARK, ILL 60477	1:1 NUMBER	N/A									
	PRODUCT SPEC	N/A									
ALL DIMENSIONS ARE GIVEN IN INCHES, UNLESS OTHERWISE SPECIFIED. DIMENSIONAL TOLERANCES ARE: (.X) ± (.XXX) ± .010(.3) (.XX) ± .031(.8) ANGLES ±	WORK INSTRUCTION	N/A									
	SCALE	NONE									
THIRD ANGLE PROJECTION	MATERIAL	ABS									
DRAWN BY JsP	DATE 4-26-06	PART NO. CFPE2**Y									
REV	DATE	BY	CHK	DESCRIPTION	ECN	R	CUST	SUP	OTH	CHK'D	DRAWING NO. 02479-117

R	4-26-06	JsP		RELEASED TO PRODUCTION	02479-117						
REV	DATE	BY	CHK	DESCRIPTION	ECN	R	CUST	SUP	OTH	CHK'D	