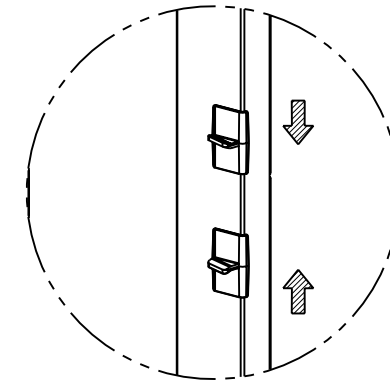
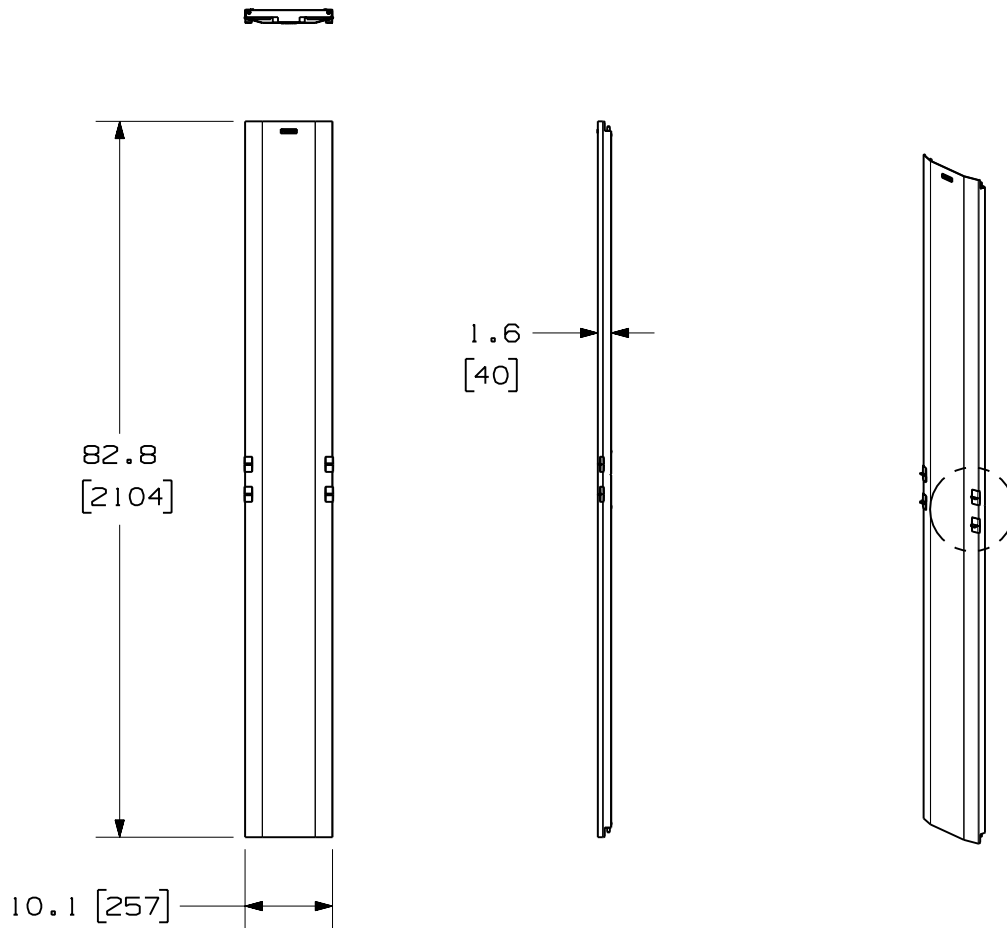


THIS COPY IS PROVIDED ON A RESTRICTED BASIS AND IS NOT TO BE USED IN ANY WAY DETRIMENTAL TO THE INTERESTS OF PANDUIT CORP.

PANDUIT P/N	WEIGHT
PRD10	7.5 LBS/EACH (3.4 kg/ EACH)

NOTES:

- VISIT OUR ON-LINE CATALOG AT WWW.PANDUIT.COM FOR A CURRENT LIST OF PRODUCTS APPLICABLE FOR USE WITH THIS PART.
- DOORS OPEN TO THE LEFT OR THE RIGHT.
- DIMENSIONS IN PARENTHESIS ARE METRIC.
- ALL DIMENSIONS ARE REFERENCE ONLY.
- ALUMINUM WITH BLACK POWDER COAT FINISH.
- COMPONENTS:
 - 1- 10" DOOR
 - 2- DOOR STOP BRACKETS
 - 4- #10-32 X 1/2" MOUNTING SCREWS



DOOR LATCH ACTIVATION

MODEL FILENAME	V10398AB_10PRVD_00.PRT
CAD FILENAME/LAYERS	V10398AB_DC_00A.PRT

PANDUIT CORP. TINLEY PARK, ILLINOIS

10" PATCHRUNNER DOOR
CUSTOMER DRAWING

UNLESS OTHERWISE SPECIFIED,
DIMENSIONAL TOLERANCES ARE:
(.X) ± (.XXX) ±
(.XX) ± ANGLES ±

UNLESS OTHERWISE SPECIFIED,
ALL DIMENSIONS ARE GIVEN
IN INCHES, THIRD ANGLE PROJECTION.

DRAWN BY LEE	MAT'L: ALUMINUM	SCALE NONE
DATE 10-23-06		DRAWING NO. 10398-10
CHK'D		DWG A SIZE

REV	DATE	BY	CHK	DESCRIPTION	ECN	R	CUST	SUP	OTH
00	10-23-06	LEE		RELEASED TO PRODUCTION	10398-10				