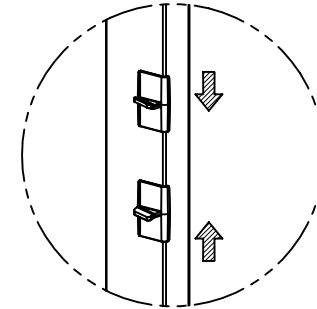
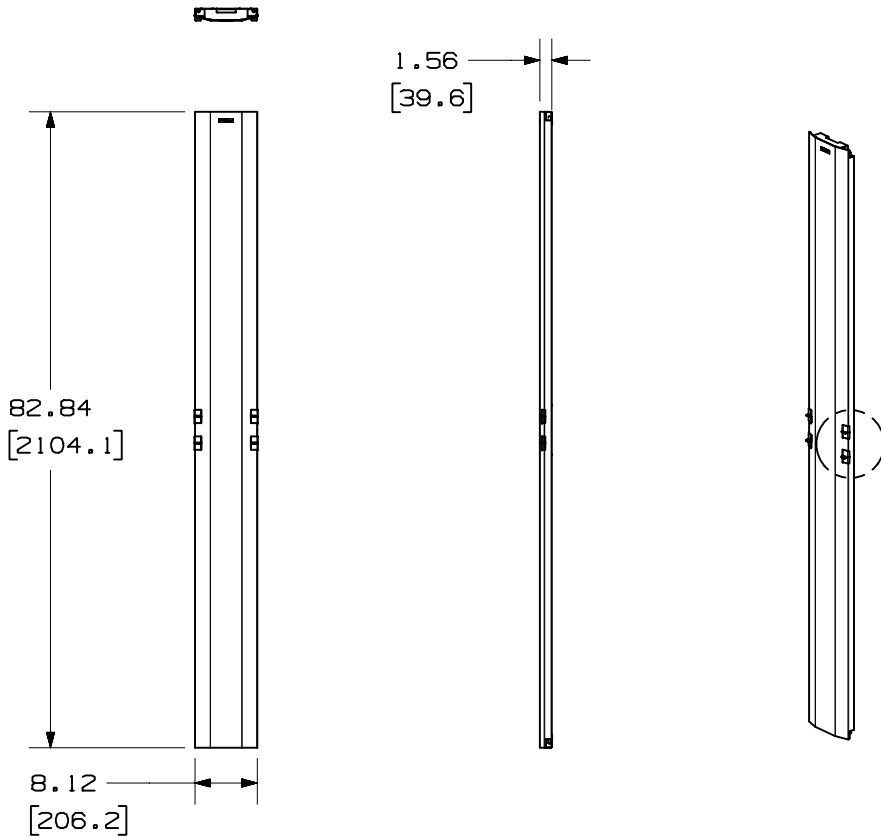


THIS COPY IS PROVIDED ON A RESTRICTED BASIS AND IS NOT TO BE USED IN ANY WAY DETRIMENTAL TO THE INTERESTS OF PANDUIT CORP.

PANDUIT P/N	WEIGHT
PRD8	6 LBS/ EACH (2.7 kg/ EACH)

NOTES:

1. VISIT OUR ON-LINE CATALOG AT WWW.PANDUIT.COM FOR A CURRENT LIST OF PRODUCTS APPLICABLE FOR USE WITH THIS PART.
2. DOORS OPEN TO THE LEFT OR THE RIGHT.
3. DIMENSIONS IN PARENTHESIS ARE METRIC.
4. ALL DIMENSIONS ARE REFERENCE ONLY.
5. ALUMINUM WITH BLACK POWDER COAT FINISH.



DOOR LATCH ACTIVATION

MODEL FILENAME V10200AE_8PRVD_03.PRT

CAD FILENAME/LAYERS V10200AE_DC_03A.PRT

PANDUIT CORP. TINLEY PARK, ILLINOIS

8" PATCHRUNNER DOOR
CUSTOMER DRAWING

UNLESS OTHERWISE SPECIFIED,
DIMENSIONAL TOLERANCES ARE:
(.X) ± (.XXX) ±
(.XX) ± ANGLES ±

UNLESS OTHERWISE SPECIFIED,
ALL DIMENSIONS ARE GIVEN
IN INCHES, THIRD ANGLE PROJECTION.

DRAWN BY
JDWE

MAT'L:

SCALE NONE

DATE
5-18-04

ALUMINUM

DRAWING NO.

10200-34

DWG
A
SIZE

REV	DATE	BY	CHK	DESCRIPTION	ECN	R	CUST	SUP	OTH
R	5-18-04	JDWE		RELEASED TO PRODUCTION	10200-34				