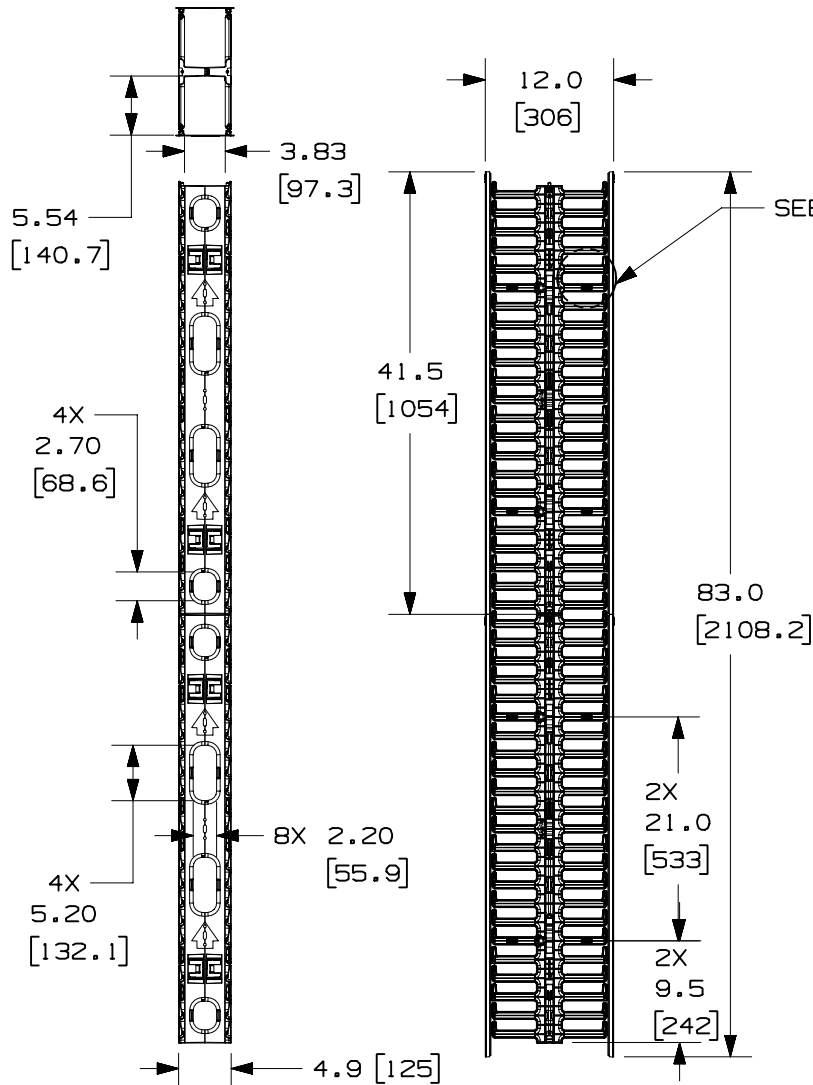


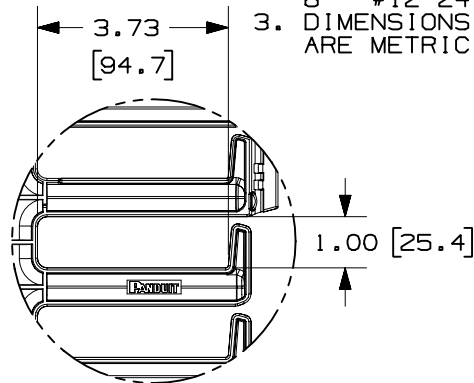
THIS COPY IS PROVIDED ON A RESTRICTED BASIS AND IS NOT TO BE USED IN ANY WAY DETRIMENTAL TO THE INTERESTS OF PANDUIT CORP.



PANDUIT P/N	WEIGHT
WMPV45E	21.0 LBS/EACH 9.52 Kg/EACH

NOTES:

- VISIT OUR ON-LINE CATALOG AT WWW.PANDUIT.COM FOR A CURRENT LIST OF PRODUCTS APPLICABLE FOR USE WITH THIS PART.
- COMPONENTS:
2- 22.5RU CABLE MANAGEMENT SECTIONS
4- 41.5" LONG COVERS
12- CABLE RETAINERS
4- MOUNTING BRACKETS
8- #12-24 X 1/2" SCREWS
- DIMENSIONS IN PARENTHESIS ARE METRIC.



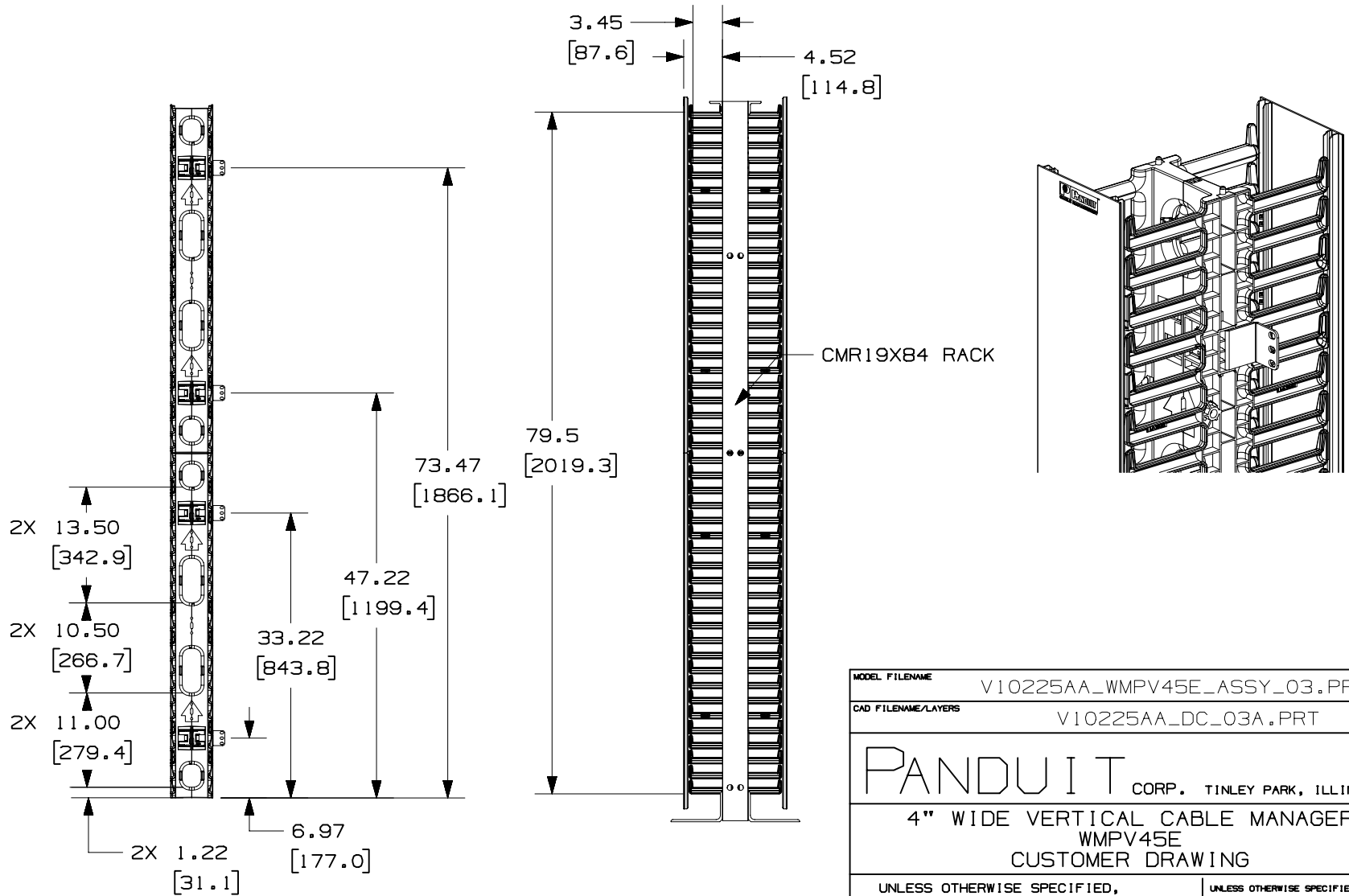
DETAIL A

MODEL FILENAME	V10225AA_WMPV45E_ASSY_03.PRT
CAD FILENAME/LAYERS	V10225AA_DC_03A.PRT
PANDUIT CORP. TINLEY PARK, ILLINOIS	
4" WIDE VERTICAL CABLE MANAGER WMPV45E CUSTOMER DRAWING	

REV	DATE	BY	CHK	DESCRIPTION	ECN	R	CUST	SUP	OTH
00	3-15-05	JDWE		RELEASED TO PRODUCTION	10225-23				

UNLESS OTHERWISE SPECIFIED, DIMENSIONAL TOLERANCES ARE: (.X) ± .03 (.XXX) ± .005 (.XX) ± .015 ANGLES ± 1°		UNLESS OTHERWISE SPECIFIED, ALL DIMENSIONS ARE GIVEN IN INCHES, THIRD ANGLE PROJECTION.	
DRAWN BY JDWE	MAT'L: CABLE MANAGER- ABS COVER- PVC CABLE RETAINER- POLYCARBONATE	SCALE NONE	
DATE 3-15-05	CHK'D	DRAWING NO. 10225-23 SHEET 1 OF 2	DRG A SIZE

THIS COPY IS PROVIDED ON A RESTRICTED BASIS AND IS NOT TO BE USED IN ANY WAY DETRIMENTAL TO THE INTERESTS OF PANDUIT CORP.



MODEL FILENAME		V10225AA_WMPV45E_ASSY_03.PRT	
CAD FILENAME/LAYERS		V10225AA_DC_03A.PRT	
<h1>PANDUIT</h1> CORP. TINLEY PARK, ILLINOIS			
4" WIDE VERTICAL CABLE MANAGER WMPV45E CUSTOMER DRAWING			
UNLESS OTHERWISE SPECIFIED, DIMENSIONAL TOLERANCES ARE:		UNLESS OTHERWISE SPECIFIED, ALL DIMENSIONS ARE GIVEN IN INCHES, THIRD ANGLE PROJECTION.	
(.X) ± .03 (.XXX) ± .005			
(.XX) ± .015 ANGLES ± 1°			
DRAWN BY	MAT'L:	SCALE	
JDWE	CABLE MANAGER- ABS	NONE	
DATE	COVER- PVC	DRAWING NO.	DRG
3-15-05	CABLE RETAINER- POLYCARBONATE	10225-23	A
CHK'D		SHEET 2 OF 2	SIZE

00	3-15-05	JDWE		SEE SHEET 1 OF 2 FOR REVISIONS	10225-23					
REV	DATE	BY	CHK	DESCRIPTION	ECN - R	CUST	SUP	OTH		