

Switches

Manual Controllers

15, 20 & 30A, 120/277VAC - Maintained Contact

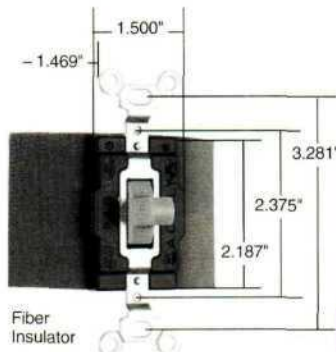
15, 20 & 30A, 120/277VAC - Momentary Contact

Applications

For ON-OFF control of motors on small machine tools, pumps, fans & air conditioning equipment that require heavy-duty AC Double Throw Center OFF controls.

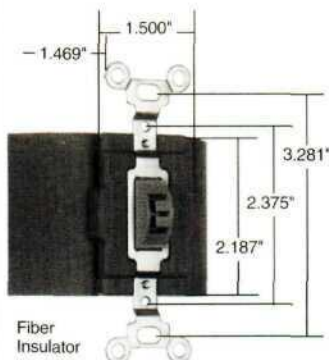
Features

- Oversize silver alloy contacts for long life & better heat dissipation.
- Side wired terminals accept #14 to #10 AWG copper or copper-clad conductors.
- Fiber terminal insulation barriers standard.
- Can be mounted in standard device boxes or in NEMA 1 sheet steel enclosures.
- Bodies, covers & toggles molded of arc-resistant thermoset.
- Single Pole-Double Throw & Double Pole-Double Throw.
- Locking Switches supplied with one 1498-NT key.



Fiber Insulator

Maintained & Momentary Contact Series



Fiber Insulator

Locking Series

Catalog Number		Rating A.	VAC	Color
S.P.D.T.	D.P.D.T.			
Maintained Contact Three Position - Two Circuit, Center Off				
1221-I	1222-I	15	120/277	Ivory
1221-W	1222-W	15	120/277	White
1221	1222	15	120/277	Brown
1221-L	1222-L	15	120/277	Locking
1225-I	1226-I	20	120/277	Ivory
1225-W	1226-W	20	120/277	White
1225	1226	20	120/277	Brown
1225-L	1226-L	20	120/277	Locking
1227-I	1228-I	30	120/277	Ivory
1227	1228	30	120/277	Brown
Maintained Contact Either Direction Two Position, No Center Off				
1275	1276	30	120/277	Brown
Momentary Contact Either Direction Three Position, Center Off				
1250-I		15	120/277	Ivory
1250-W		15	120/277	White
1250		15	120/277	Brown
1250-L		15	120/277	Locking
1251-I		20	120/277	Ivory
1251		20	120/277	Brown
1251-L		20	120/277	Locking
1255	1256	30	120/277	Brown
1255-L	1256-L	30	120/277	Locking

Catalog Number	Description
Lock Switch Keys	
1498	For devices made prior to 1976
1498-NT	For current devices

HP Conversion Table

1221 Series		1250 Series	
15 Amp	1/2 Horsepower at 120VAC 2 Horsepower at 240VAC	15 Amp	1/2 Horsepower at 120VAC 2 Horsepower at 240VAC
20 Amp	1 Horsepower at 120VAC 2 Horsepower at 240VAC	20 Amp	1 Horsepower at 120VAC 2 Horsepower at 240VAC
30 Amp	2 Horsepower at 120VAC 2 Horsepower at 240VAC		

UL Listed
CSA Certified

All devices listed on this page conform to NEMA WD-1.

Switches Specification Grade AC Switches

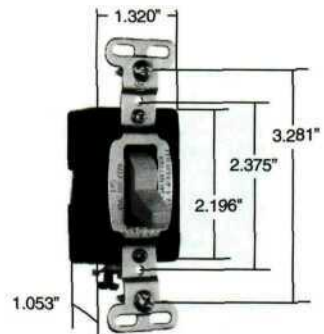
15, 20 & 30A, 120, 277 & 120/277VAC

Pass & Seymour
legrand

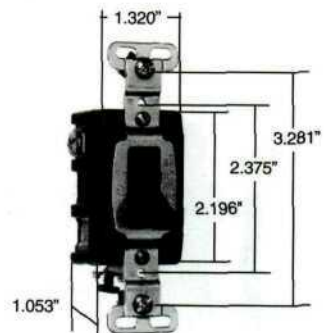
Switches

Features

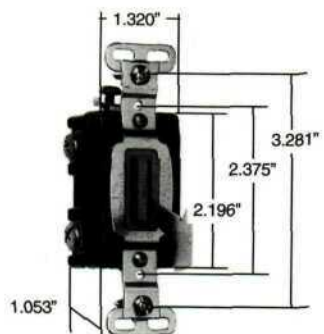
- Back & side wired. Accepts #14 - #10 AWG copper or copper-clad conductors.
- Heavy gauge one-piece copper alloy contact arm virtually eliminates contact bounce.
- Cam controls fast "make" & positive "break" to minimize arcing.
- Heavy-duty bumper pads for quiet operation.
- High strength thermoplastic toggle.
- Oversized silver alloy contacts for long life & better heat dissipation.
- Grounding terminal is standard.
- Shallow design for ease of installation.
- Thermoset body & cover for superior heat resistance.



15 & 20 AC Series*



Lighted & Pilot Lighted Series*



Locking Series*

* 30AC series is 1.437" wide

Lock Switch Keys
(One key furnished with each switch)



500K
Fits new Switches



1498
Fits Switches manufactured before 1976



1498-NT
Fits Switches made 1976-1982

Catalog Number				Rating A. VAC	Color	3rd Party Compliance			
Single Pole	Double Pole	Three Way	Four Way			UL	FSUL	CS	
Toggle Switches Back & Side Wire									
15AC1-I	15AC2-I	15AC3-I	15AC4-I	15	120/277	Ivory	•	•	•
15AC1-W	15AC2-W	15AC3-W	15AC4-W	15	120/277	White	•	•	•
15AC1	15AC2	15AC3	15AC4	15	120/277	Brown	•	•	•
15AC1-GRY	15AC2-GRY	15AC3-GRY	15AC4-GRY	15	120/277	Gray	•	•	•
15AC1-LA	15AC2-LA	15AC3-LA	15AC4-LA	15	120/277	Light Almond	•	•	•
20AC1-I	20AC2-I	20AC3-I	20AC4-I	20	120/277	Ivory	•	•	•
20AC1-W	20AC2-W	20AC3-W	20AC4-W	20	120/277	White	•	•	•
20AC1	20AC2	20AC3	20AC4	20	120/277	Brown	•	•	•
20AC1-GRY	20AC2-GRY	20AC3-GRY	20AC4-GRY	20	120/277	Gray	•	•	•
20AC1-BK	20AC2-BK	20AC3-BK	20AC4-BK	20	120/277	Black	•	•	•
20AC1-RED	20AC2-RED	20AC3-RED	20AC4-RED	20	120/277	Red	•	•	•
20AC1-LA	20AC2-LA	20AC3-LA	20AC4-LA	20	120/277	Light Almond	•	•	•
30AC1-I	30AC2-I	30AC3-I		30	120/277	Ivory	•	•	•
30AC1	30AC2	30AC3		30	120/277	Brown	•	•	•
Lighted Toggle Switch (Lighted when OFF) Back & Side Wire									
15AC1-CSL		15AC3-CSL		15	120/277	Clear	•	•	•
15AC1-ISL		15AC3-ISL		15	120/277	Ivory	•	•	•
20AC1-CSL		20AC3-CSL		20	120/277	Clear	•	•	•
20AC1-ISL		20AC3-ISL		20	120/277	Ivory	•	•	•
Pilot Lighted Switches (Lighted when ON) Back & Side Wire									
15AC1-CPL		15AC3-CPL		15	120	Clear	•	•	•
15AC1-RPL		15AC3-RPL		15	120	Red	•	•	•
20AC1-CPL		20AC3-CPL		20	120	Clear	•	•	•
20AC1-CPL7		20AC3-CPL7		20	277	Clear	•	•	•
20AC1-RPL		20AC3-RPL		20	120	Red	•	•	•
20AC1-RPL7		20AC3-RPL7		20	277	Red	•	•	•
	20AC2-CPL			20	120/277	Clear	•	•	•
	20AC2-RPL			20	120/277	Red	•	•	•
30AC1-RPL		30AC3-RPL		30	120	Red	•	•	•
				30	277	Red	•	•	•
	30AC2-RPL			30	120/277	Red	•	•	•
Lock Switches (Key can be removed in both positions) Back & Side Wire									
15AC1-L		15AC3-L		15	120/277	Gray	•	•	•
20AC1-L	20AC2-L	20AC3-L	20AC4-L	20	120/277	Gray	•	•	•

All devices on this page conform to NEMA WD-1

Specification Grade AC Switches