

Field Installed Fuse Kits

Standard Secondary Fuse Kits (Field Installed)

All HPS Imperator control transformers up to and including 1500 VA are supplied with standard secondary fuse kits which include: 13/32" x 1 1/2" midget/type CC fuse clips, fuse clip mounting screws, primary and secondary voltage links and the PHAK1 instruction sheet (note: secondary fuse clips and fuse clip mounting screws are not supplied on the PH750PG, PH1000PG, PH750MLI, and PH1000MLI).

Optional Primary Fuse Kits (Field Installed)

All HPS Imperator series machine tool industrial control transformers up to and including 1500VA are available with the following optional primary fuse kits:

Kit Part Number	Applicable Transformer Part Number Suffix's	Applicable VA Sizes	Parts Included in Kit
PFK1	<p><i>Refer to Specification Tables on Pages 36 to 46 for Optional Primary Fuse Kit P/N</i></p>	<p><i>Refer to Specification Tables on Pages 36 to 46 for Optional Primary Fuse Kit P/N</i></p>	4 fuse clips, 4 mtg. screws, PHAK1 instruction sheet
PFK2			4 fuse clips, 4 mtg. screws, PHAK1 instruction sheet
PFK3			4 fuse clips, 4 mtg. screws, PHAK1 instruction sheet
PFK4			4 fuse clips, 4 mtg. screws, 1 jumper, 1 finger guard, PHAK1 instruction sheet
PFK5			4 fuse clips, 4 mtg. screws, 1 jumper, 1 finger guard, PHAK1 instruction sheet
PFK6			4 fuse clips, 4 mtg. screws, 1 jumper wire, PHAK1 instruction sheet
PFK7			4 fuse clips, 4 mtg. screws, 1 jumper wire, PHAK1 instruction sheet

Note: Maximum allowable current rating on all primary and secondary fuse kits is 30 amps.

Factory Installed Fuse Kits

Factory Installed Primary and Secondary Fuse Kits

**** NEW ****

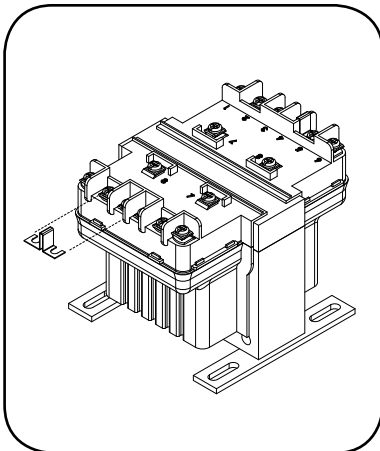
HPS now stocks some HPS Imperator series voltage groups with FACTORY INSTALLED primary and secondary fuse clips. To order, just add the suffix "-FK" to the end of the standard part number. Factory installed fusing only available on units up to 1500VA. The voltage groups that are stocked are:

Group C (p/n: PH*MQMJ-FK) | Group G (p/n: PH***PG-FK) | Group I (p/n: PH***MLI-FK)**

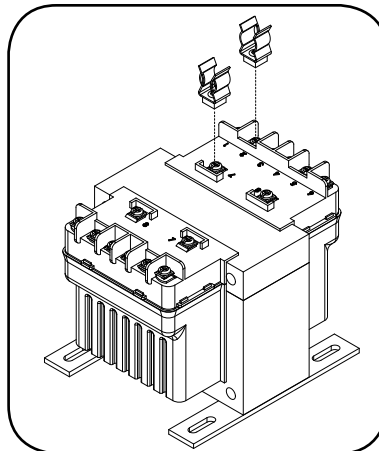
On PH750PG-FK, PH1000PG-FK, PH750MLI-FK, and PH1000MLI-FK, only primary fuse clips are included on factory installed units. Secondary fuse clips are not included or available on these units.

Other voltage groups available with factory installed fuse kits. Please contact your HPS sales or customer service representative for details.

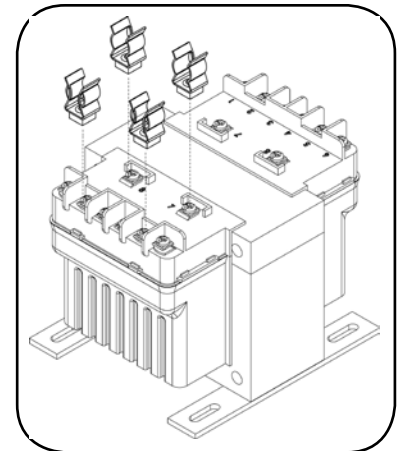
Note: All factory installed fuse kits are pre-wired at the transformers highest primary voltage and the lowest secondary voltage. To hook up at a different primary or secondary voltage, please refer to the wiring instruction sheet included with the transformer.



Sample Assembly Drawing for Voltage Link Installation
(for 150VA to 1500VA)



Sample Assembly Drawing for Secondary Fuse Clip Installation
(for 150VA to 1500VA)

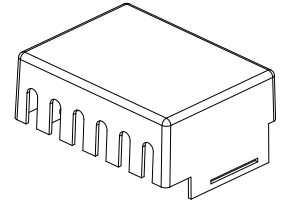
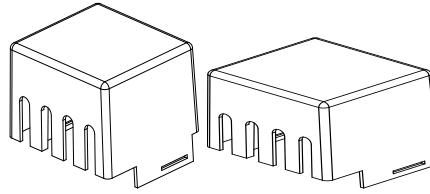
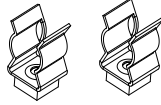
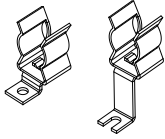
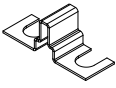


Sample Assembly Drawing for Primary Fuse Clip Installation
(for 150VA to 1500VA)

Note: HPS Imperator primary and secondary fuse kits are not suitable for branch circuit applications!

Accessory Installation Guide

Sample Accessory Drawings



Voltage Link

Fuse Clips
(for 50, 75 and 100VA)

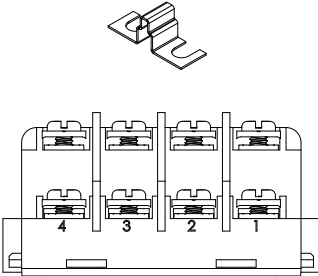
Fuse Clips
(for 150VA to 1500VA)

**Fused & Unfused
Finger Guard**
(for 50, 75 and 100VA)

Finger Guard
(for 150VA to 1500VA)

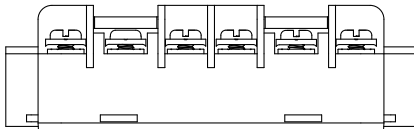
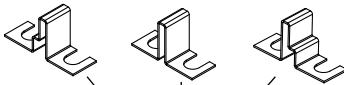
Sample Accessory Assembly Drawings

Sample Assembly Drawings for Voltage Link Installation



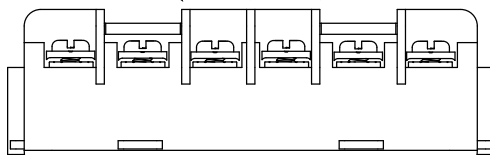
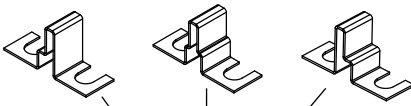
For units from 50VA to 100VA, the voltage links supplied can be installed between any two primary or secondary terminal bays. Please refer to PHWD1 or PHWD2 instruction sheet included with your transformer for connection for details.

Style A (left) Style B (center) Style A (right)



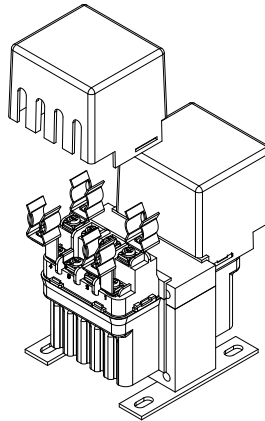
For units from 150VA to 250VA, the voltage links supplied must be installed between the primary or secondary terminal bays as indicated above. Please refer to PHWD1 or PHWD2 instruction sheet included with you transformer for connection details.

Style A (left) Style B (center) Style A (right)

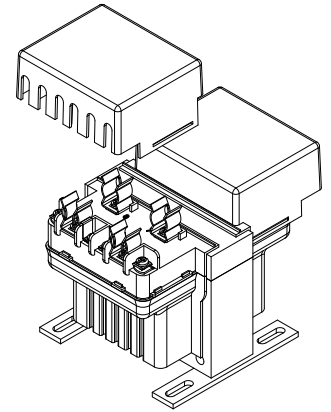


For units from 350VA to 1500VA, the voltage links supplied must be installed between the primary or secondary terminal bays as indicated above. Please refer to PHWD1 or PHWD2 instruction sheet included with you transformer for connection details.

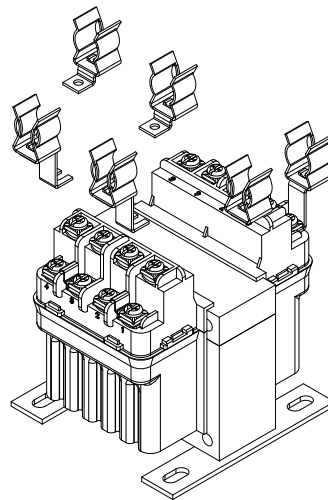
**Sample Assembly Drawing for
Finger Guard Installation**
(for 50, 75 and 100VA)



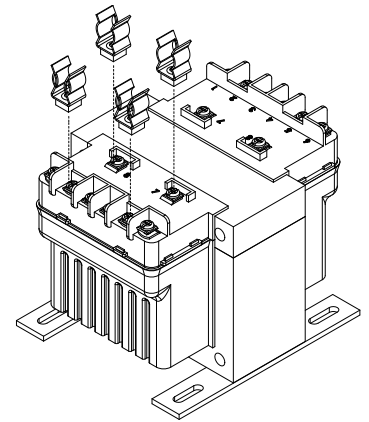
**Sample Assembly Drawing for
Finger Guard Installation**
(for 150VA to 1500VA)



**Sample Assembly Drawing for
Fuse Clip Installation**
(for 50, 75 & 100VA)



**Sample Assembly Drawing for
Primary Fuse Clip Installation**
(for 150VA to 1500VA)



Note: HPS Imperator primary and secondary fuse kits are not suitable for *branch circuit* applications!