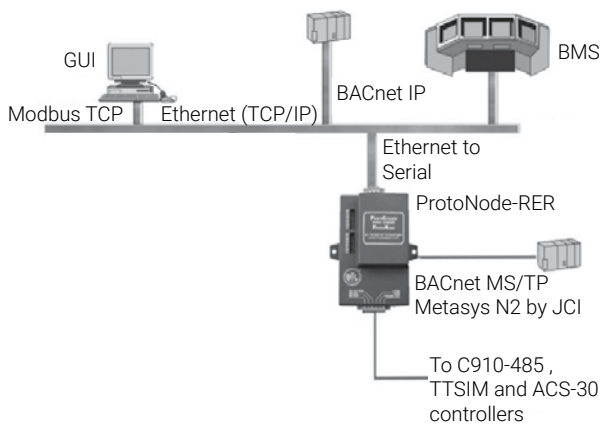
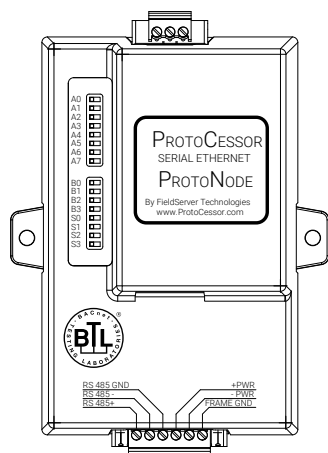


MULTI-PROTOCOL DEVICE GATEWAY PROTONODE-RER AND PROTONODE-RER-10K



PRODUCT OVERVIEW

The nVent RAYCHEM ProtoNode is an external, high performance multi-protocol gateway for customers needing protocol translation between Building Management Systems (BMS) using BACnet® or Metasys® N2 and the RAYCHEM C910-485, ACS-30 or TTSIM controllers.

The RAYCHEM ProtoNode-RER and ProtoNode-RER-10K come pre-programmed with the C910-485, ACS-30 and TTSIM Modbus® profiles for simple integration into a BMS. One ProtoNode can connect to: one ACS-30 system or up to six C910-485 controllers or up to one hundred TTSIM modules.

ProtoNode-RER: Provides support for Modbus RTU to BACnet MS/TP, BACnet IP (BTL Certified), and Metasys N2 protocol translation for C910-485, TTSIM and smaller scale ACS-30 systems (up to 5 PCM panels). The gateway features an ARM9 processor for fast performance and includes two RS-485 and one Ethernet ports.

ProtoNode-RER-10K: Provides support for Modbus RTU to BACnet MS/TP, BACnet IP (BTL Certified), and Metasys N2 protocol translation for larger ACS-30 systems (up to 34 PCM panels). The gateway features an ARM9 processor for fast performance and includes two RS-485 and one Ethernet ports.

Features and benefits:

- The most flexible and versatile multiprotocol device server on the market
- BACnet International's BTL Certification makes the ProtoNode-RER the most reliable gateway on the market
- Multi-client and multi-server support ensures interoperability between any Industrial and or Building Automation protocols
- Flash upgradable

For additional information, contact your nVent representative or call (800) 545-6258.

APPROVALS



BACnet Testing Labs (BTL) B-ASC on ProtoNode-RER

SPECIFICATIONS

ProtoNode-RER & ProtoNode-RER-10K

Electrical connections	<ul style="list-style-type: none"> • One 6-pin Phoenix connector, one RS-485 +/- ground port, power +/- frame ground port • One 3-pin RS-485 Phoenix connector, one RS-485 +/- ground port • One Ethernet-10/100 Ethernet port
Power requirements	9–30 Vdc or Vac, or 5 Vdc
Current draw	150 mA @ 12 V
Supported field protocols	<ul style="list-style-type: none"> • BACnet IP (Ethernet) • BACnet MS/TP (RS-485) • Metasys N2 open (RS-485)
Operating temperature	–40°F to 187°F (–40°C to 85°C)
Relative humidity	5–90% RH, noncondensing
Enclosure dimensions	4.37 in L x 2.75 in W x 1.50 in H (11.10 cm L x 7.00 cm W x 3.81 cm H)

NUMBER OF PROTONODE / CONTROLLER CONNECTIONS

Description	ProtoNode-RER	ProtoNode-RER-10K
C910-485	6	N/A
TTSIM modules	100	N/A
ACS-PCM2-5 Panels	5	34

ORDERING DETAILS

Description	Catalog number	Part number	Weight (lbs)
RAYCHEM ProtoNode-RER: BACnet MSTP/IP and Metasys N2 protocol gateway	ProtoNode-RER	P000002008	1.3
RAYCHEM ProtoNode-RER-10K : BACnet MSTP/IP and Metasys N2 protocol gateway	ProtoNode-RER-10K	P000001983	1.3

North America

Tel +1.800.545.6258
 Fax +1.800.527.5703
 info@nvent.com



nVent.com

Our powerful portfolio of brands:

CADDY ERICO HOFFMAN RAYCHEM SCHROFF TRACER