

# RMG Series Rack Mount Fiber Enclosures



The RMG Series rack mount fiber enclosure is an integral part of the TE Connectivity product portfolio. The RMG Series fiber enclosure provides rugged and durable protection for patching or splicing of fiber cables. Especially designed to be user friendly, the slide-out design and removable front and rear panels provide convenient access points.

The RMG Series offers a cost effective and high-density rack mount fiber enclosure in one, two and four rack unit sizes. Its modular design and flexible configurations make it very user friendly and easy to install.

## FEATURES:

- 1 RU and 2 RU units contain sliding and removable front and rear access panels, providing convenient access points
- Designed for 48.26 cm (19-inch) EIA rack or cabinet environment; optional brackets to accommodate 58.42 cm (23-inch) rack or cabinet mounting
- Density: up to 72 terminations in 1 RU
- Low profile design with higher density for space limited applications
- User friendly design utilizing industry standard LSX/LGX modular adapter packs
- Side and rear cable entry points on back of panel supports a wide range of deployment applications

## APPLICATIONS AND BENEFITS:

- High-density makes suitable for telecommunications and equipment rooms
- Can be cabinet mounted for data center applications

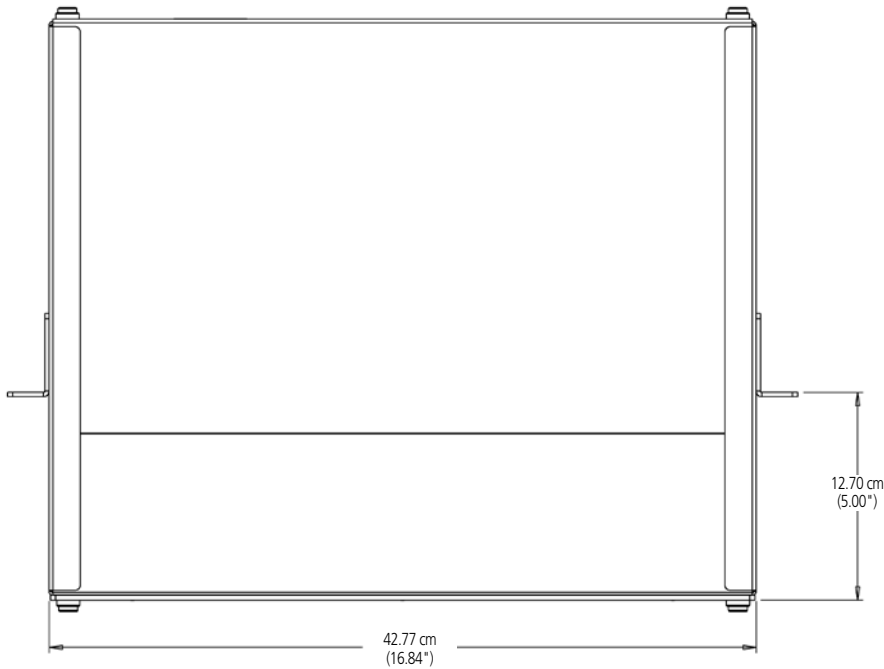
# RMG Series Rack Mount Fiber Enclosures

## SPECIFICATIONS

<b>Storage/operating temperature:</b>	-40 °C to 85 °C (-40 °F to 185 °F)
<b>Approximate weight (empty panel)</b>	
<b>1 RU model:</b>	5.44 Kg (12 lbs)
<b>2 RU model:</b>	5.90 Kg (13 lbs)
<b>4 RU model:</b>	6.80 Kg (15 lbs)
<b>Configuration options and capacity</b>	
<b>Termination only</b>	
<b>1 RU maximum density<sup>1</sup>:</b>	72 terminations
<b>2 RU maximum density<sup>1</sup>:</b>	144 terminations
<b>4 RU maximum density<sup>1</sup>:</b>	288 terminations
<b>Termination/splice</b>	
<b>1 RU maximum density:</b>	36 terminations
<b>2 RU maximum density:</b>	72 terminations
<b>4 RU maximum density:</b>	144 terminations

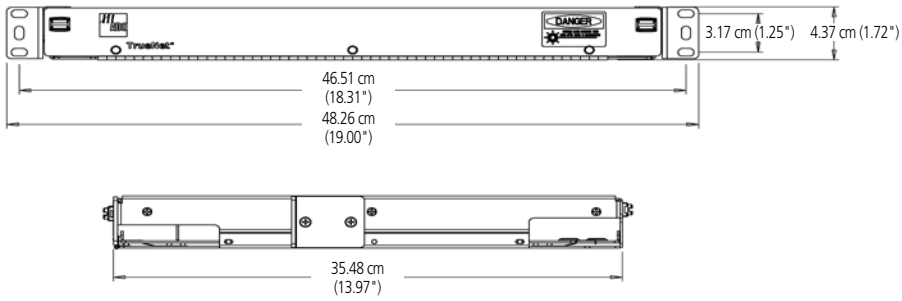
<sup>1</sup>Maximum density achieved using quad LC connectors.

## 1 RU, 2 RU and 4 RU

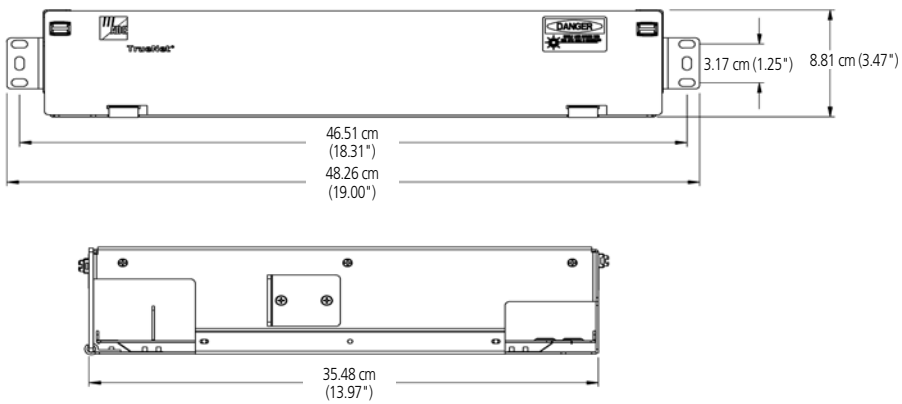


# RMG Series Rack Mount Fiber Enclosures

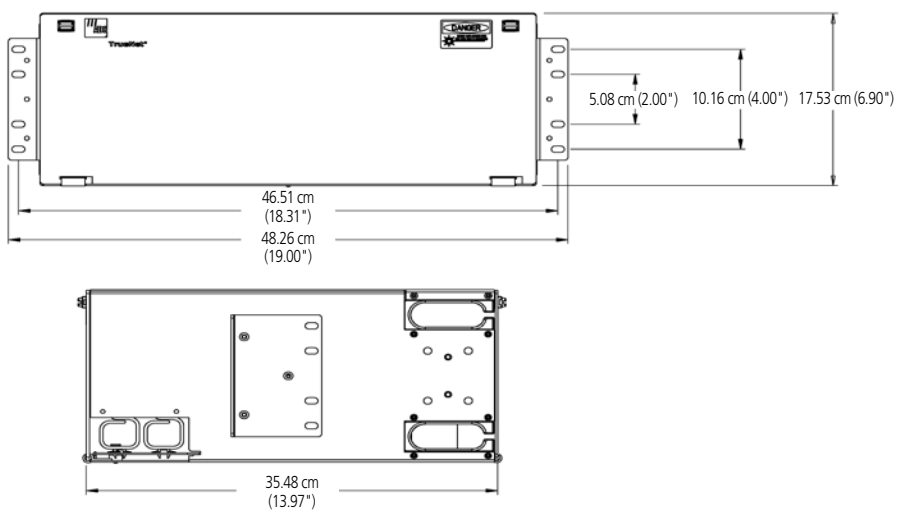
## 1 RU Model



## 2 RU Model



## 4 RU Model



# RMG Series Rack Mount Fiber Enclosures

## RMG Empty Panels

The RMG empty panel with blank panels includes 48.26 cm (19-inch) EIA mounting brackets and hardware, polycarbonate front door, cable ties, cable management rings and circuit identification cards. The RMG empty panel allows for the user to mix and match any combination of modular adapter packs or simply utilize a “grow as you go” approach to their network.

### FEATURES

- Mounting options:
  - Shipped with standard 48.26 cm (19-inch) EIA rack or cabinet mounting hardware
  - Optional brackets to accommodate 58.42 cm (23-inch) EIA rack or cabinet mounting
- Ability to quickly and easily configure, utilizing the modular adapter pack

## ORDERING INFORMATION

Product Description	Panel Height	Catalog Number
<b>Rack or Cabinet Mount Panel, black</b>		
1 RU empty panel; accommodates 3 modular adapter packs; black	4.45 cm (1.75")	RMG-1000-000B
2 RU empty panel; accommodates 6 modular adapter packs; black	8.89 cm (3.50")	RMG-2000-000B
4 RU empty panel; accommodates 12 adapter packs; also includes cable management bracket and cable clamp; black	17.78 cm (7.00")	RMG-4000-000B
<b>Accessories</b>		
Cable Clamp Kit (for 1 RU and 2RU)		RMG-ACC001
Blank Plates		RMG-00ADP00
<b>Splice Tray (Splice Tray Capacity: 24 fibers)</b>		
Heat shrink fusion		FST-DV-HS
Mechanical (Splice Tray Capacity: 24 fibers)W		FST-D-MT
<b>Extender Brackets; 48.26 cm (19" - 23")</b>		
1 RU		EB-17B
2 RU		EB-35B
<b>Q-Frame 4RU Chassis Mounting Bracket</b>		RMG-ACCQBRKT4RU

# RMG Series Rack Mount Fiber Enclosures

## RMG Standard Adapter Packs

The RMG Series offers a variety of standard modular adapter packs to accommodate most applications. They utilize the industry standard LSX/LGX footprint and are readily available.



### ORDERING INFORMATION

Description	Equivalent to Part Number	Part Number
<b>OM1/OM2 multimode adapter only packs</b>		
LC adapters, beige color 12 duplex adapters or 24 fiber per adapter pack	RMG-24ADPQ3	1435516-2
LC adapters, beige color 6 adapters or 12 fiber per adapter pack	RMG-12ADPQ1	1374463-2
SC duplex adapters, beige color 6 adapters or 12 fiber per adapter pack	RMG-12ADPC3	559596-1
SC adapters, beige color 6 adapters or 6 fiber ports per adapter pack	RMG-06ADPC1	559558-1
ST adapters 6 adapters or 6 fiber ports per adapter pack	RMG-06ADPT1	559557-1
<b>OM3/OM4 multimode adapter only packs<sup>1</sup></b>		
LC adapters, aqua color 12 duplex adapters or 24 fiber per adapter pack	RMG-24ADPQ4	1435516-5
LC adapters, aqua color 6 adapters or 12 fiber per adapter pack	RMG-12ADPQ2	1374463-5
SC duplex adapters, aqua color 6 adapters or 12 fiber per adapter pack	RMG-12ADPC4	559596-6
SC adapters, aqua color 6 adapters or 6 fiber ports per adapter pack	RMG-06ADPC2	559558-6
<b>Singlemode adapter only packs</b>		
LC UPC adapters, blue color 12 duplex adapters or 24 fiber per adapter pack	RMG-24ADPQ8	14355161-1
LC UPC quad adapters, blue color 6 adapters or 12 fiber per adapter pack	RMG-12ADPQ5	1374463-1
SC UPC duplex adapters, blue color 6 adapters or 12 fiber per adapter pack	RMG-12ADPC8	559596-2
SC UPC adapters, blue color 6 adapters or 6 fiber per adapter pack	RMG-12ADPC7	559558-2
ST UPC adapters 6 adapters or 6 fiber per adapter pack	RMG-06ADPT2	559515-2

<sup>1</sup> TE recommends the use of aqua colored adapters with laser-optimised multimode fiber for 10 Gigabit applications for circuit identification.

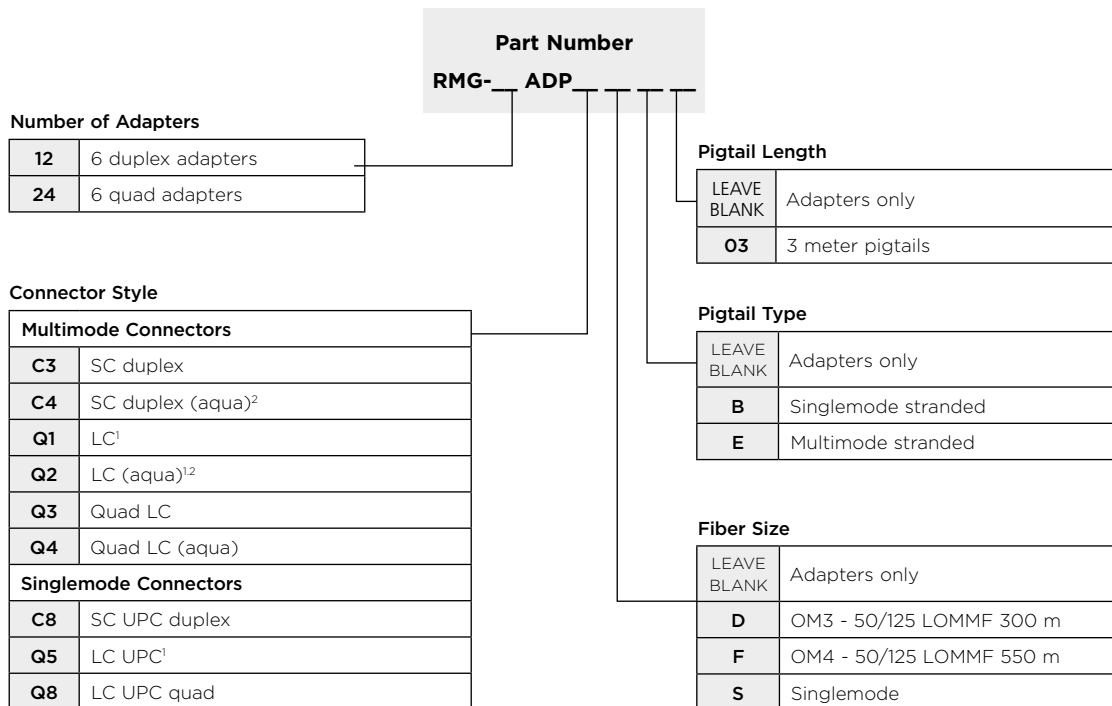
# RMG Series Rack Mount Fiber Enclosures

## Custom Modular Adapter Packs

TE's RMG/AMP NETCONNECT modular adapter pack assemblies can be used in any of the RMG/AMP NETCONNECT series fiber enclosures in a variety of connector styles and with or without preterminated 3 m (9.84') pigtailed. Its modular design is user friendly and easy to install. Use the following matrix to configure the correct catalog number for the application. If the resulting catalog number is not on the standard list, the product is considered custom and may have longer lead times.

### FEATURES

- Can be ordered with all standard types of duplex multimode and singlemode adapters
- Available with preterminated 3 m (9.84') pigtailed to reduce installation time and cost
- One end of pigtail terminated to chosen connector style and installed into adapter pack plug-in adapters



<sup>1</sup> LC adapters terminate two fibers at each adapter and should be considered duplex adapters in this ordering scheme

<sup>2</sup> TE recommends the use of aqua adapters with multimode Ultra fiber to visually identify 10 Gigabit circuits

# RMG Series Rack Mount Fiber Enclosures

## RMG Maximum Capacity by Adapter Style and Chassis Height

### TERMINATION ONLY APPLICATION

Chassis Height (in Rack Units)/ Application	Maximum Number of Fiber Terminations in Chassis	Maximum Number of Adapter Packs per Chassis	Number of Fiber Terminations per Adapter Pack	Adapter Style
1	18	3	6	Simplex SC,
1	36	3	12	Duplex SC, standard LC,
1	72	3	24	Quad LC
2	36	6	6	Simplex SC,
2	72	6	12	Duplex SC, standard LC,
2	144	6	24	Quad LC
4	72	12	6	Simplex SC,
4	144	12	12	Duplex SC, standard LC,
4	288	12	24	Quad LC

### TERMINATION/SPLICE APPLICATION

Chassis Height (in Rack Units)/ Application	Maximum Number of Fiber Terminations in Chassis	Maximum Number of Adapter Packs per Chassis	Number of Fiber Terminations per Adapter Pack	Adapter Style
1	18	3	6	Simplex SC,
1	36	3	12	Duplex SC, standard LC,
1	48	2	24	Quad LC
2	36	6	6	Simplex SC,
2	72	6	12	Duplex SC, standard LC,
2	96	4	24	Quad LC
4	72	12	6	Simplex SC,
4	144	12	12	Duplex SC, standard LC,
4	144	12	24	Quad LC

## DATA SHEET



**Contact us:**  
Greensboro, NC  
USA 27409-8420  
Tel: 1-800-553-0938  
Fax: 1-717-986-7406

[www.te.com/EnterpriseNetworks](http://www.te.com/EnterpriseNetworks)

TrueNet, TE Connectivity, TE connectivity (logo), Tyco Electronics, and TE (logo) are trademarks of the TE Connectivity Ltd. family of companies and its licensors.

While TE Connectivity has made every reasonable effort to ensure the accuracy of the information in this document, TE Connectivity does not guarantee that it is error-free, nor does TE Connectivity make any other representation, warranty or guarantee that the information is accurate, correct, reliable or current. TE Connectivity reserves the right to make any adjustments to the information contained herein at any time without notice. TE Connectivity expressly disclaims all implied warranties regarding the information contained herein, including, but not limited to, any implied warranties of merchantability or fitness for a particular purpose. The dimensions in this document are for reference purposes only and are subject to change without notice. Specifications are subject to change without notice. Consult TE Connectivity for the latest dimensions and design specifications.

© 2014 TE Connectivity family of companies. All rights reserved.

101417AE 05/14 Revision



# Mouser Electronics

Authorized Distributor

Click to View Pricing, Inventory, Delivery & Lifecycle Information:

[TE Connectivity Divested:](#)

[1-1479937-0](#)