

## EQ 125A Frame

### Ordering Instructions

- All BQ circuit breakers are supplied with load side lugs. If line side lugs are required, add suffix 'L' to catalog number. Lugs will be supplied at no charge if ordered with circuit breakers. All standard circuit breakers are calibrated for 40°C maximum ambient application.

## BQ 125A Frame — BQ (10,000A IR) HACR Type

### Non-Interchangeable Trip

Continuous Current Rating @ 40°C	1-Pole		2-Pole		2-Pole		3-Pole	
	120/240V AC		120/240V AC Common Trip		240V AC Common Trip <sup>⑤</sup>		240V AC Common Trip	
	Catalog Number	List Price \$	Catalog Number	List Price \$	Catalog Number	List Price \$	Catalog Number	List Price \$
15	BQ1B015 <sup>①②③</sup>	26.20	BQ2B015 <sup>⑤</sup>	60.00	BQ2H015 <sup>⑤</sup>	158.00	BQ3B015 <sup>⑤</sup>	199.00
20	BQ1B020 <sup>①②③</sup>	26.20	BQ2B020 <sup>⑤</sup>	60.00	BQ2H020 <sup>⑤</sup>	158.00	BQ3B020 <sup>⑤</sup>	199.00
25	BQ1B025 <sup>②③</sup>	26.20	BQ2B025 <sup>⑤</sup>	60.00	—	—	BQ3B025 <sup>⑤</sup>	199.00
30	BQ1B030 <sup>②③</sup>	26.20	BQ2B030 <sup>⑤</sup>	60.00	BQ2H030 <sup>⑤</sup>	158.00	BQ3B030 <sup>⑤</sup>	199.00
35	BQ1B035 <sup>②③</sup>	26.20	BQ2B035 <sup>⑤</sup>	60.00	—	—	BQ3B035 <sup>⑤</sup>	199.00
40	BQ1B040 <sup>②③</sup>	26.40	BQ2B040 <sup>⑤</sup>	60.00	BQ2H040 <sup>⑤</sup>	158.00	BQ3B040 <sup>⑤</sup>	199.00
45	BQ1B045 <sup>②③</sup>	26.20	BQ2B045 <sup>⑤</sup>	60.00	—	—	BQ3B045 <sup>⑤</sup>	199.00
50	BQ1B050 <sup>②③</sup>	26.20	BQ2B050 <sup>②</sup>	60.00	BQ2H050 <sup>⑤</sup>	158.00	BQ3B050 <sup>⑤</sup>	199.00
55	BQ1B055 <sup>②③</sup>	26.00	—	—	—	—	—	—
60	BQ1B060 <sup>②③</sup>	26.20	BQ2B060 <sup>⑤</sup>	60.00	BQ2H060 <sup>⑤</sup>	158.00	BQ3B060 <sup>⑤</sup>	199.00
70	BQ1B070 <sup>⑤</sup>	26.20	BQ2B070 <sup>⑤</sup>	117.00	BQ2H070 <sup>⑤</sup>	210.00	BQ3B070 <sup>⑤</sup>	244.00
80			BQ2B080 <sup>⑤</sup>	158.00	—	—	BQ3B080 <sup>⑤</sup>	275.00
90			BQ2B090 <sup>⑤</sup>	158.00	BQ2H090 <sup>⑤</sup>	239.00	BQ3B090 <sup>⑤</sup>	275.00
100			BQ2B100 <sup>⑤</sup>	158.00	BQ2H100 <sup>⑤</sup>	239.00	BQ3B100 <sup>⑤</sup>	275.00
110			BQ2B110 <sup>④</sup>	319.00				
125			BQ2B125 <sup>④</sup>	338.00				

## BQH (22,000A IR) HACR Type

15	BQ1B015H <sup>①</sup>	51.40	BQ2B015H	117.00	—	—	BQ3B015H	299.00
20	BQ1B020H <sup>①</sup>	51.40	BQ2B020H	117.00	—	—	BQ3B020H	299.00
30	BQ1B030H	58.00	BQ2B030H	117.00	—	—	BQ3B030H	299.00
40	BQ1B040H	58.00	BQ2B040H	117.00	—	—	BQ3B040H	299.00
50	BQ1B050H	58.00	BQ2B050H	117.00	—	—	BQ3B050H	299.00
55	BQ1B055H	58.00	—	—	—	—	—	—
60	BQ1B060H	58.00	BQ2B060H	117.00	—	—	BQ3B060H	299.00
70	BQ1B070H	72.00	BQ2B070H	175.00	—	—	BQ3B070H	363.00
80			BQ2B080H	255.00	—	—	BQ3B080H	425.00
90			BQ2B090H	255.00	—	—	BQ3B090H	425.00
100			BQ2B100H	255.00	—	—	BQ3B100H	425.00

## HBQ (65,000A IR) HACR Type

15	HB1B015 <sup>①</sup>	89.00	HB2B015	216.00	—	—	HB3B015	376.00
20	HB1B020 <sup>①</sup>	89.00	HB2B020	216.00	—	—	HB3B020	376.00
30	HB1B030	89.00	HB2B030	216.00	—	—	HB3B030	376.00
40	HB1B040	103.00	HB2B040	265.00	—	—	HB3B040	457.00
50	HB1B050	103.00	HB2B050	265.00	—	—	HB3B050	457.00
60	—	—	HB2B060	265.00	—	—	HB3B060	457.00
70	—	—	HB2B070	432.00	—	—	HB3B070	489.00
80	—	—	—	—	—	—	HB3B080	575.00
90	—	—	—	—	—	—	HB3B090	575.00
100	—	—	—	—	—	—	HB3B100	575.00

## BQ/BQH/HBQ

### Internal Accessories (Factory installed only)

Control Voltage		Shunt Trip		Auxiliary Switches	
AC	DC	Suffix	List Adder \$	1A and 1B	
				Suffix	List Adder \$
120V		...00S01	117.00	...A01	117.00

① UL Listed for frequent switching applications (SWD). 120V AC fluorescent lighting.  
② Not UL Listed.

③ For 400 cycle UL Listed devices, add "Y" suffix to catalog number. Add 25% to list price. 5000A interrupting rating.

④ UL Listed for use on 3 phase grounded "B" systems—5000A IR for this application.

Interrupting Ratings page 51  
Enclosures pages 34-46  
Accessories pages 112-123  
Modifications page 111

Built to order. Allow 2 weeks for production.



# Molded Case Circuit Breakers

mmmmmmmm

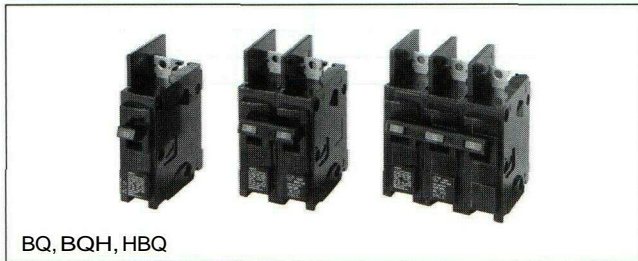
SELECTION / APPLICATION

## Reference Guide

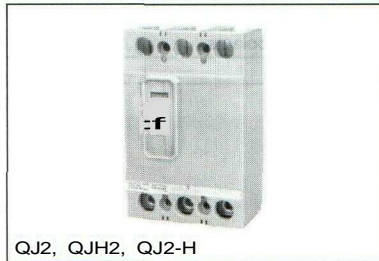
### Thermal-Magnetic Trip Breakers

Page			General Purpose Breakers								
			BQ	BOH	HBQ	QJ2	QJH2	QJ2-H	HQJ2-H	COD	
70			70	70	70	72	72	72	72	73	
Ratings	AC	Poles	1,2,3	1,2,3	1,2,3	2,3	2,3	2,3	3	1,2,3	
		Amperes, Continuous	1-Pole	15-70	15-70	15-50	—	—	—	—	15-100
			2-Pole	15-125	15-100	15-70	60-225	60-225	60-225	—	15-100
			3-Pole	15-100	15-100	15-100				100-225	15-100
		Volts (60 Hertz)	1-Pole	120/240	120/240	120/240	—	—	—	—	277
			2-Pole				240	240	240	—	480/277
			3-Pole	240	240	240				240	240
		UL Interrupting Rating — Symmetrical RMS Amperes	120V	10,000	22,000	65,000	—	—	—	—	65,000
			240V	10,000	22,000	65,000	10,000	22,000	42,000	100,000	65,000
			480/277V	—	—	—	—	—	—	—	14,000
			600/347V	—	—	—	—	—	—	—	10,000®
		DC	Volts — 2-Pole	—	—	—	—	—	—	—	250
Interrupting Rating — DC Amperes	—		—	—	—	—	—	—	14,000		
Dimensions in inches	Height	15-50A	3.75	3.75	4.00	—	—	—	—	4.50	
		55-125A	4.00	4.00	4.00	—	—	—	—	4.50	
		60-225A	—	—	—	7.00	7.00	7.00	7.00	—	
	Width	1-Pole	1.00	1.00	1.00	—	—	—	—	1.00	
		2-Pole	2.00	2.00	2.00	3.00	3.00	3.00	—	2.00	
		3-Pole	3.00	3.00	3.00	4.50	4.50	4.50	4.50	3.00	
Depth	2.37	2.37	2.37	2.34	2.34	2.53	2.53	2.87			
Overcurrent Devices	Thermal and Fixed Magnetic Trip	Y	✓	Y	Y	✓	✓	✓	Y		
	Molded Case Switch	J	—	—	Y	—	—	—	—		
Accessories & Modifications	Undervoltage Trip	—	—	—	—	—	—	—	Y		
	Shunt Trip	Y	Y	✓	Y <sup>®</sup>	Y <sup>®</sup>	Y <sup>®</sup>	Y <sup>0</sup>	Y		
	Auxiliary Switch	✓	Y	Y	Y <sup>o</sup>	Y <sup>®</sup>	Y <sup>®</sup>	Y <sup>o</sup>	Y		
	Alarm Switch	—	—	—	Y	Y	—	—	✓		
	Mechanical Interlock	—	—	—	Y	Y	✓	✓	—		
	Fungus Proofing (ref. page 106)	Y	Y	Y	✓	Y	Y	Y	Y		
Individual Enclosures	Type 1 — Indoor Surface	Y	Y	Y	Y	Y	Y	Y	—		
	Type 1 — Indoor, Flush	Y	✓	Y	Y	Y	Y	Y	—		
	Type 3R — Outdoor-Rainproof	Y	Y	Y	Y	Y	Y	Y	—		

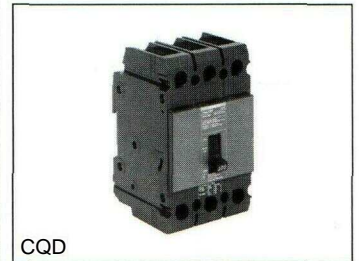
3  
CIRCUIT BREAKERS



BQ, BQH, HBQ



QJ2, QJH2, QJ2-H



CQD

For inches / millimeters conversion, see Application Data section.

©3-pole breakers only (factory installed only).  
©Type CQD6—CSA only.



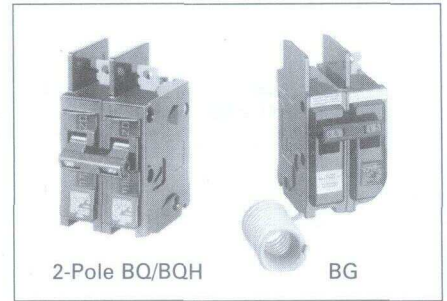
# Molded Case Circuit Breakers

SELECTION / DIMENSIONS

## BQ 125A Frame

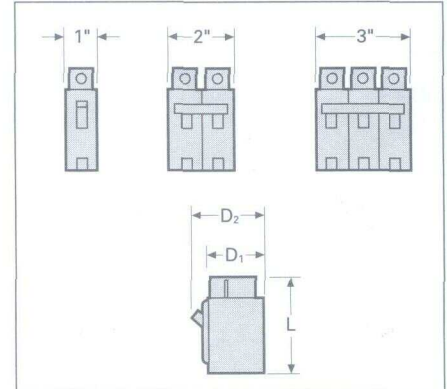
### Special Applications Breakers — Switching Neutrals

Breaker Type	Ampere Rating	Complete Breaker UL Unenclosed		Interrupting Ratings (KA) (RMS Symmetrical Amperes)		
		Catalog Number	List Price \$	Volts AC		
				120	120/240	240
2 Wire Common Trip Bolt-on <b>BG</b> 120V AC	15	BG2B015	92.00	10		
	20	BG2B020	92.00	10		
	30	BG2B030	92.00	10		
	SHIPPING: 3 per carton, 36 per master carton (Wt. 24 lbs.)					
3 Wire Common Trip Bolt-on <b>BG</b> 120/240V AC	15	BG3B015	138.00		10	
	20	BG3B020	138.00		10	
	30	BG3B030	138.00		10	
	SHIPPING: 2 per carton, 24 per master carton (Wt. 24 lbs.)					



### BQ Breaker with DIN Rail Mounting

Continuous Current Rating	1-Pole		2-Pole	
	Catalog Number	List Price \$	Catalog Number	List Price \$
15	BQ1B015LD	26.20	BQ2B015LD	60.00
20	BQ1B020LD	26.20	BQ2B020LD	60.00
25	BQ1B025LD	26.20	BQ2B025LD	60.00
30	BQ1B030LD	26.20	BQ2B030LD	60.00
35	BQ1B035LD	26.20	BQ2B035LD	60.00
40	BQ1B040LD	26.20	BQ2B040LD	60.00
45	BQ1B045LD	26.20	BQ2B045LD	60.00
50	BQ1B050LD	26.20	BQ2B050LD	60.00
60	BQ1B060LD	26.20	BQ2B060LD	60.00



### Finger Safe Terminal Shield

Protects against accidental contact with lugs—1 per lug. Fits line or lead end.

Catalog Number	Qty	List Price \$
BQFS2	2	3.20
BQFS1K	1000	1000.00

Breaker Type	Amperes	Dimensions (inches)		
		L	D1	D2
BQ, BQH	15-50	3 3/4	2 1/2	3
BQ, BQH	55-125	4	2 1/2	3
HBO	15-125	4	2 1/2	3

### Shipping Weights

Number of Poles	Number Per Carton / Master	Shipping Weight (lbs.) Master
<b>BQ</b>		
1 (15-50A)	6/72	23
1 (55-70A)	6/66	23
1 (15-70A, 22 and 65K A IR)	6/66	23
2 (15-50A)	3/36	24
2 (60-125A)	3/33	23
2 (15-100A, 22 and 65K A IR)	3/33	24
2 (15-100A, 240V)	3/33	23
3 (15-100A)	2/22	23
<b>BQH and HBO</b>		
1	6/66	23
2	3/33	24
3	2/22	24

Enclosures		
Type	Catalog Number <sup>ⓐ</sup>	List Price \$ <sup>ⓑⓓ</sup>
1	EB3100S <sup>ⓐⓑ</sup>	120.00
3R	WB3100	157.00

### Lugs-For Use with BQ, BQH, HBO

Circuit Breaker Amp. Rtg.	Cab. Per Lug	Lug Wire Range AWG	Catalog Number	List Price \$ (Qty. 6)
<b>Line Side</b>				
15-40	1	#14-#6 Cu #12-#6 Al	TC1Q1 <sup>ⓐⓑ</sup>	13.90
50-100	1	#8-#1 Cu #6-#1/0 Al	TA1Q1	11.80
<b>Load Side</b>				
15-20	1	#14-#8 Cu #12-#8 Al	Connectors are Supplied with Circuit Breaker	
25-35	1	#14-#6 Cu #14-#6 Al		
40-50	1	#8-#6 Cu #8-#4 Al		
55-70	1	#8-#4 Cu #8-#2 Al		
80-100	1	#4-#1/0 Cu #2-#1/0 Al		
110-125	1	#2-#1/0 Cu #1/0-#2/0 Cu		

For inches / millimeters conversion, see Application Data section.

<sup>ⓐ</sup>Terminals are UL Listed for 60°/75°C conductors. Also CSA Listed.  
<sup>ⓑ</sup>Connector has steel construction.

<sup>ⓐ</sup>Surface mounted indoor. If flush mounting is required, replace suffix "S" in catalog number with suffix "F".

<sup>ⓑ</sup>Discount Schedule B.  
<sup>ⓓ</sup>Does not include circuit breaker. Order circuit breaker separately.  
<sup>ⓔ</sup>Neutral included in enclosure.

<sup>ⓔ</sup>Enclosure will not accept circuit breakers with shunt trips or auxiliary switches installed.

Enclosures pages 34-46  
Accessories pages 112-123